



INSTRUCTION MANUAL
BRUGERVEJLEDNING
BRUKSANVISNING
BRUKERVEILEDNINGER
KÄYTTÖOHJEET

EN
DA
SV
NO
FI

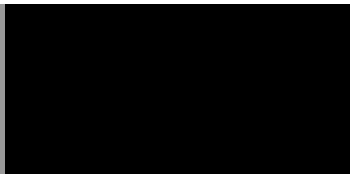
Refrigerator / Køleskab / Kylskåp / Kjøleskap /
Jääkaappi



KSU 600864



IO-REF-1421
(08.2025)



EN - Table of contents

GUIDELINES CONCERNING THE SAFETY OF USE	10
INSTALLATION AND OPERATING CONDITIONS OF THE APPLIANCE	15
INSTALLATION BEFORE USING THE APPLIANCE FOR THE FIRST TIME	15
MINIMUM DISTANCES FROM THE HEAT SOURCES	15
MAINS CONNECTION	16
DISCONNECTING THE MAINS	16
CLIMATE RANGE	16
UNPACKING	17
DISPOSAL OF OLD APPLIANCE	17
CONTROLS	18
APPLIANCE CONTROLS	18
ADJUST TEMPERATURE INSIDE THE APPLIANCE	18
ADDITIONAL INFORMATION ON THE TEMPERATURE	18
DOOR ALARM	18
OPERATION AND FUNCTIONS	19
STORAGE OF FOOD IN THE FRIDGE-FREEZER	19
FREEZING FOOD**	19
USING THE REFRIGERATOR EFFICIENTLY	21
PRACTICAL EVERYDAY TIPS	21
UNDERSTANDING THE STARS	21
PRACTICAL TIPS	22
FOOD THAT SHOULD NOT BE STORED IN A REFRIGERATOR	22
DEFROSTING, WASHING AND MAINTENANCE	23
DEFROSTING THE FRIDGE***	23
DEFROSTING THE FREEZER**	23
DEFROST THE FREEZER CHAMBER FOLLOWING STEPS:**	24
AUTOMATIC FRIDGE DEFROSTING****	24
AUTOMATIC FRIDGE DEFROSTING*****	24
WASHING THE FRIDGE AND FREEZER CHAMBERS MANUALLY*****	24
TAKING OUT AND PUTTING IN THE SHELVES*****	24
TAKING OUT AND PUTTING IN THE DOOR SHELF*****	24
TROUBLE-SHOOTING	25
WARRANTY AND AFTER SALES SERVICE	27
WARRANTY	27

DA - Indholdsfortegnelse

VEJLEDNING I SIKKER BRUG	29
INSTALLATION OG BETJENINGFORHOLD FOR APPARATET	34
DETTE KØLE- OG FRYSESKAB ER IKKE BEREGNET TIL INDBYGNING.	34
INSTALLATION AF APPARATET FØR DET BRUGES FØRSTE GANG	34
MINIMUMSAFSTAND FRA VARMEKILDER	34
TILSLUTNING TIL LYSNETTET	35
AFBRYDELSE FRA LYSNETTET	35
KLIMAINTERVAL	35
UDPAKNING	36
BORTSKAFFELSE AF DET GAMLE PRODUKT	36
BETJENINGSKNAPPER	37
APPARATETS BETJENINGSKNAPPER	37
INDSTILLING AF TEMPERATUREN I APPARATET	37
YDERLIGERE INFORMATION OM TEMPERATUR	37
DØRALARM*	37
BETJENING OG FUNKTIONER	38
OPBEVARING AF MADVARER I KØLESKABET/FRYSEREN	38
FRYSNING AF MADVARER**	38
EFFEKTIV BRUG AF KØLESKABET	40
PRAKTISKE HVERDAGSTIPS	40
FORKLARING PÅ STJERNERNE	40
OPBEVARINGSZONER I KØLESKABET	41
MADVARER, DER IKKE BØR OPBEVARES I KØLESKAB	41
AFRIMNING, RENGØRING OG VEDLIGEHOLDELSE	42
AFRIMNING AF KØLESKABET***	42
AFRIMNING AF FRYSEREN***	42
FOR AT AFRIME FRYSEKAMMET, SKAL DU UDFØRE FØLGENDE TRIN:**	43
AUTOMATISK AFRIMNING AF KØLESKABET***	43
AUTOMATISK AFRIMNING AF KØLESKABET***	43
MANUEL VASK AF KØLESKABS- OG FRYSEKAMMET****	43
UDTAGNING OG ISÆTNING AF HYLDERNE	43
UDTAGNING OG ISÆTNING AF DØRHYLDERNE	43
FEJLFINDING	44
GARANTI OG SERVICE	46
GARANTI	46

SV - Innehållsförteckning

SÄKERHETSANVISNINGAR	48
INSTALLATION OCH FÖRUTSÄTTNINGAR FÖR ANVÄNDNING	52
DENNA KYL- OCH FRYSSAPPARAT ÄR INTE AVSEDD FÖR INBYGGNAD.	52
INSTALLATION INNAN DU ANVÄNDER PRODUKTEN FÖRSTA GÅNGEN	52
MINSTA AVSTÅND TILL VÄRMEKÄLLOR	52
STRÖMANSLUTNING	53
AVSKILJA FRÅN STRÖMMEN	53
TILLÅTET TEMPERATUROMRÅDE	53
UPPACKNING	54
SKROTA PRODUKTEN	54
REGLAGE	55
PRODUKTENS REGLAGE	55
JUSTERA TEMPERATUREN I PRODUKTEN	55
MER INFORMATION OM TEMPERATUREN	55
DÖRRLARM*	55
ANVÄNDNING OCH FUNKTIONER	56
FÖRVARA LIVSMEDEL I KYL/FRYSEN	56
FRYSA LIVSMEDEL**	56
ANVÄNDA KYLSKÅPET EFFEKTIVT	58
PRAKTISKA TIPS I VARDAGEN	58
FÖRKLARING AV STJÄRNORNA	58
KYLSKÅPETS FÖRVARINGSZONER	59
LIVSMEDEL SOM INTE SKA FÖRVARAS I KYLSKÅP	59
AVFROSTNING, RENGÖRING OCH SKÖTSEL	60
FROSTA AV KYLEN***	60
FROSTA AV FRYSEN**	60
GÖR SÅ HÄR FÖR ATT FROSTA AV FRYSEN:**	60
AUTOMATISK AVFROSTNING AV KYLEN****	61
AUTOMATISK AVFROSTNING AV KYLEN****	61
TVÄTTA KYLEN OCH FRYSEN FÖR HAND***	61
TA UT OCH SÄTTA IN HYLLORE	61
TA UT OCH SÄTTA IN DÖRRHYLLAN	61
FELSÖKNING	62
GARANTI OCH SERVICE	64
GARANTI	64

NO - Innholdsfortegnelse

RETNINGSLINJER FOR TRYGG BRUK	66
INSTALLERING OG BRUK AV APPARATET	71
INSTALLASJON FØR APPARATET BRUKES FOR FØRSTE GANG	71
MINIMUMSAVSTANDER FRA VARMEKILDER	71
NETTILKOBLING	71
KOBLE FRA STRØMFORSYNINGEN	72
KLIMAOMRÅDE	72
UTPAKKING	73
AVHENDING AV GAMMELT APPARAT	73
KONTROLLER	74
APPARATETS INNSTILLINGER	74
JUSTER TEMPERATUREN INNI APPARATET	74
YTTERLIGERE INFORMASJON OM TEMPERATUREN	74
DØRALARM*	74
DRIFT OG FUNKSJONER	75
LAGRING AV MAT I KOMBISKAPET	75
FRYSE MAT**	75
BRUK KJØLESKAPET EFFEKTIVT	77
PRAKTISKE HVERDAGSTIPS	77
FORSTÅ STJERNENE	77
PRAKTISKE TIPS	78
MAT SOM IKKE SKAL OPPBEVARES I KJØLESKAP	78
AVISING, RENGJØRING OG VEDLIKEHOLD	79
AVISING AV KJØLESKAPET***	79
AVISE FRYSEREN**	79
FØLG DISSE TRINNENE FOR Å TINE FRYSEDELEN:**	80
AUTOMATISK AVISING AV KJØLESKAP****	80
AUTOMATISK AVISING****	80
KJØLESKAP OG FRYSER MÅ VASKES MANUELT****	80
TA UT HYLLENE OG SETTE DEM INN *****	80
TA UT OG SETTE INN DØRHYLLEN *****	80
FEILSØK	81
GARANTI OG ETTERSALGSSERVICE	83
GARANTI	83

FI - Sisällysluettelo

TURVALLISTA KÄYTTÖÄ KOSKEVIA OHJEITA	85
LAITTEEN ASENNUS- JA KÄYTTÖEHDOT	91
ASENNUS ENNEN LAITTEEN ENSIMMÄISTÄ KÄYTTÖÄ	91
VÄHIMMÄISETÄISYYDET LÄMMÖNLÄHTEISTÄ	91
KYTKEMINEN VERKKOVIRTAAN	92
IRROTTAMINEN VERKKOVIRRASTA	92
ILMASTOALUE	92
PAKKAUKSEN PURKAMINEN	93
VANHAN LAITTEEN HÄVITYS	93
SÄÄTIMET	94
LAITTEEN SÄÄTIMET	94
SÄÄDÄ LÄMPÖTILAA LAITTEEN SISÄLLÄ	94
LISÄTIETOA LÄMPÖTILASTA	94
OVIHÄLYTIN*	94
KÄYTTÖ JA TOIMINNOT	95
ELINTARVIKKEIDEN SÄILYTYS JÄÄKAAPPIPAKASTIMESSA	95
RUOAN PAKASTAMINEN**	95
JÄÄKAAPIN TEHOKAS KÄYTTÖ	97
KÄYTÄNNÖN VINKKEJÄ	97
TÄHTIEN SELITYS	97
KÄYTÄNNÖN VINKKEJÄ	98
ELINTARVIKKEET, JOITA EI PIDÄ SÄILYTTÄÄ JÄÄKAAPISSA	98
SULATUS, PESU JA YLLÄPITO	99
JÄÄKAAPIN SULATUS**	99
PAKASTIMEN SULATUS**	99
SULATA PAKASTINOSASTO SEURAAVASTI:**	100
JÄÄKAAPIN AUTOMAATTINEN SULATUS****	100
JÄÄKAAPIN AUTOMAATTINEN SULATUS****	100
JÄÄKAAPIN JA PAKASTIMEN PESU****	100
HYLLYJEN IRROTTAMINEN JA TAKAISIN LAITTAMINEN*****	100
OVIHÄLYTYKSEN IRROTTAMINEN JA TAKAISIN LAITTAMINEN*****	100
VIANMÄÄRITYS	101
TAKUU JA MYYNNIN JÄLKEINEN HUOLTO	103
TAKUU	103

Dear customer

Your appliance is exceptionally easy to use and extremely efficient. Before being packaged and leaving the manufacturer, the appliance was thoroughly checked with regard to safety and functionality.

Before using the appliance, please carefully read these Operating Instructions.

Sincerely,

GRAM

GUIDELINES CONCERNING THE SAFETY OF USE

- Do not store explosive substances such as aerosol cans with a flammable propellant in this appliance.
- This appliance is intended to be used in household and similar applications such as:
 1. Staff kitchen areas in shops, offices and other working environments
 2. Farm houses and by clients in hotels, motels and other residential type environments
 3. Bed and breakfast type environments
 4. Catering and similar non-retail applications
- The manufacturer reserves the right to introduce changes which do not affect the operation of the appliance.
- Some provisions in this user manual are unified for refrigerating products of different types (for a refrigerator, refrigerator-freezer or freezer)
- The Manufacturer shall not be held liable for damage arising from the failure to observe the instructions contained in this manual.
- Keep this manual for future reference, or to pass it over to the next user.
- This appliance is not intended for use by persons (including children) with limited physical or mental capabilities and persons who lack experience or familiarity with the appliance.
- Do not allow children to use the appliance. Do not allow them to play with the appliance. They must not climb inside the drawers and swing on the doors.
- The appliance operates properly at the ambient temperature (see product fiche). Do not use it in the cellar, unheated summer cottage during autumn and winter.
- When placing, moving, lifting the appliance, do not hold the door handles, do not pull the condenser at the rear part of the refrigerator and do not touch the compressor unit.

- When transporting, moving or positioning the fridge-freezer do not tilt it by more than 40° from the vertical position. Should such a situation occur, the appliance should be switched on after minimum 2 hours from its replacement in the right position (fig.2).
- Pull the plug out from the mains socket before each maintenance activity. Do not pull on the cord, but hold the body of the plug instead.
- The “cracking” sound, which the appliance may emit is caused by the expansion and contraction of parts as a result of temperature variations.
- For safety reasons do not repair the appliance yourself. Repairs carried out by persons who do not have the required qualifications may result in serious danger for the user of the appliance.
- Air the room in which the appliance is placed for a few minutes (the size of the room for a product containing isobutane/R600a must be at least 4m³) to avoid damage to the cooling system.
- Do not refreeze partly thawed products.
- Do not store beverages in bottles and cans, especially carbonated beverages, in the freezer chamber. The cans and the bottles may explode.
- Do not put frozen products, taken out directly from the freezer (lollies, ice cubes, etc.) into your mouth, their low temperature may cause severe frostbite.
- Make sure you do not damage the cooling system, by puncturing the refrigerant pipes in the evaporator or breaking the pipes. The refrigerant is flammable. If the refrigerant makes contact with the eyes, rinse them with clean water and call for medical assistance immediately.
- If the supply cord is damaged, it must be replaced by the manufacturer, its service agent or similar qualified persons in order to avoid a hazard.
- This appliance is intended for food storage, do not use it for other purposes.
- When performing activities, such as cleaning, maintenance or moving, the appliance must be completely

disconnected from power supply (by pulling the plug out from the socket)

- This appliance can be used by children aged 8 years and older or by persons with physical, mental or sensory handicaps, or by those who are inexperienced or unfamiliar with the appliance, provided they are supervised or have been instructed how to safely use the appliance and are familiar with risks associated with the use of the appliance. Ensure that children do not play with the appliance. Cleaning and maintenance of the appliance should not be performed by children unless they are 8 years or older and are supervised by a competent person.
- **WARNING:** Do not use mechanical devices or other means to accelerate the defrosting process, other than those recommended by the manufacturer.
- **WARNING:** Do not use electrical appliances inside the food storage compartments of the appliance, unless they are of the type recommended by the manufacturer.
- If the socket does not match the refrigerator plug, it must be replaced by the manufacturer, its service agent or similar qualified persons in order to avoid a hazard.
- In order to obtain more space in the freezer, you can remove the drawers and place the food directly on the shelves. This has no effect on the product mechanical properties and cooling performance. Declared freezer capacity was calculated with the drawers removed.
- **WARNING:** Do not damage the refrigerant circuit.
- This appliance is not intended for use at altitudes exceeding 2000 m.



WARNING: Risk of fire / flammable materials





- Children aged from 3 to 8 years are allowed to load

and unload refrigerating appliances.

- **WARNING:** When positioning the appliance, ensure the supply cord is not trapped or damaged.

To avoid contamination of food, please respect the following instructions:

- Opening the door for long periods can cause a significant increase of the temperature in the compartments of the appliance.
- Clean regularly surfaces that can come in contact with food and accessible drainage systems.
- Store raw meat and fish in suitable containers in the refrigerator, so that it is not in contact with or drip onto other food.
- Two-star frozen-food compartments are suitable for storing pre-frozen food, storing or making ice-cream and making ice cubes.
- One-, two- and three-star compartments are not suitable for the freezing of fresh food
- **WARNING:** Do not use electrical appliances inside the food storage compartments of the appliance, unless they are of the type recommended by the manufacturer

	Compartments TYPE	Target storage temp.[°C]	Appropriate food
1	Fridge	+2≤+8	Eggs, cooked food, packaged food, fruits and vegetables, dairy products, cakes, drinks and other foods are not suitable for freezing.
2	Freezer 	≤-18	Seafood (fish, shrimp, shellfish), freshwater aquatic products and meat products (recommended for 3 months, the longer the storage time, the worse the taste and nutrition), suitable for frozen fresh food.
3	Freezer 	≤-18	Seafood (fish, shrimp, shellfish), freshwater aquatic products and meat products (recommended for 3 months, the longer the storage time, the worse the taste and nutrition), are not suitable for frozen fresh food.
4	Freezer 	≤-12	Seafood (fish, shrimp, shellfish), freshwater aquatic products and meat products (recommended for 2 months, the longer the storage time, the worse the taste and nutrition), are not suitable for frozen fresh food
5	Freezer 	≤-6	Seafood (fish, shrimp, shellfish), freshwater aquatic products and meat products (recommended for 1 months, the longer the storage time, the worse the taste and nutrition), are not suitable for frozen fresh food.

6	0- star compartment	$-6 \leq 0$	Fresh pork, beef, fish, chicken, some packaged processed foods, etc. (Recommended to eat within the same day, preferably no more than 3 days). Partially encapsulated processed foods (non-freezable foods)
7	Chill	$2 \leq +3$	Fresh/frozen pork, beef, chicken, freshwater aquatic products, etc. (7 days below 0°C and above 0°C is recommended for consumption within that day, preferably no more than 2 days). Seafood (less than 0 for 15 days, it is not recommended to store above 0°C)
8	Fresh Food	$0 \leq +4$	Fresh pork, beef, fish, chicken, cooked food, etc. (Recommended to eat within the same day, preferably no more than 3 days)
9	Wine	$+5 \leq +20$	red wine, white wine, sparkling wine etc.

- Note: please store different foods according to the compartments or target storage temperature of your purchased products.
- If the refrigerating appliance is left empty for long periods, switch off, defrost, clean, dry, and leave the door open to prevent mould developing within the appliance.
- Water dispenser cleaning (special for water dispenser products): Clean water tanks if they have not been used for 48 h; flush the water system connected to a water supply if water has not been drawn for 5 days.
- Pursuant to Commission Regulation (EU) 2019/2019, the minimum availability period for spare parts necessary to repair the appliance is 7 or 10 years depending on the type and purpose of the spare part.
- The list of spare parts and the ordering procedure are available on the websites of the manufacturer, importer or an authorized representative.
- For more information about the product, please refer to the EU EPREL Product Database at <https://eprel.ec.europa.eu>. For more information, please use your mobile device to scan the QR code on the energy label or enter the product model listed on the energy label in the EPREL search engine <https://eprel.ec.europa.eu/>

INSTALLATION AND OPERATING CONDITIONS OF THE APPLIANCE

This refrigeration appliance is not intended for built-in installation.

Installation before using the appliance for the first time

- Take the product out of the package, remove the scotch tape protecting the door and the equipment. Any remaining adhesive stains may be removed with a mild washing agent.
- Do not throw away the polystyrene elements of the packaging. If it is necessary to transport the fridge-freezer, pack it in the polystyrene elements and film as well as protecting it with scotch tape
- Clean the interior surface of the fridge-freezer and the elements of the equipment with a washing agent dissolved in lukewarm water, then wipe it dry.
- Place the fridge-freezer on an even, flat and stable surface, in dry, aired and shaded room, far from the heat sources such as: oven, hob, central heating radiators, central heating pipes, hot water installation, etc.
- On the exterior surface of the product may be a protective foil, this foils should be removed.
- Make sure the appliance is placed in a horizontal position by screwing in the 2 adjustable front legs (fig. 3)
- To ensure that the door opens freely, the distance between the side of the appliance (on door hinges side) and the wall is shown on figure 5.*
- Ensure adequate ventilation of the room and free air circulation from all sides of the appliance (fig. 6).*

Minimum distances from the heat sources

- from the electric gas and other ovens - 30 mm,
- from oil or coal fired ovens - 300 mm,
- from built-in ovens - 50 mm

If there is no possibility of ensuring the above- mentioned distances, provide an appropriate insulation board.

Warning:

- The rear wall of the refrigerator, in particular, the condenser and other elements of the cooling system must not contact other elements, which may damage them, (e.g. central heating pipes and the water supply pipes).
- It is forbidden to readjust or modify any parts of the unit. It is crucial not to damage the capillary tube visible in the compressor recess. The tube may not be bent, straightened or wound.
- If the capillary tube is damaged by the user the guarantee will be void (fig. 8).
- In some models the handle is put into the appliance, You should screw it with Your own screwdriver,
- Do not damage the refrigerant circuit

Mains connection

To ensure your safety and reduce the risk of injury or electric shock, follow all precautions listed below.

- Prior to connection, it is recommended to set the temperature control knob to an „OFF“ or other position that disconnects the appliance from the power supply (See page with the control description).
- Prior to connection, it is recommended to set the temperature control knob to an „OFF“ or other position that disconnects the appliance from the power supply (See page with the control description).
- This appliance should be connected to AC 220-240V 50Hz supply socket. The socket must be fitted properly, and must be supplied with an earthing conduit and a 10A fuse.
- It is a legal requirement that the appliance is properly earthed. The manufacturer will not be held liable for any damage or injury which may result from the failure to fulfil this requirement.
- Do not use adapters, multiple sockets and two-wire extension leads. If it is necessary to use the extension lead, it must be equipped with a protection ring and a single socket and must have a VDE/GS safety certificate.
- If an extension lead is used (with a protection ring and safety certificate), its socket must be located at a safe distance, away from the sinks, and must not be in a place where it could be flooded by water or waste water.
- See the type plate at the lower part of the internal wall of the appliance for detailed specifications**.
- Make sure the plug is easily accessible to disconnect from the mains.

Disconnecting the mains

Make sure the appliance can be easily disconnected from the mains, either by pulling the plug out of the mains socket, or by switching the two-pole switch off (fig. 9).

Climate range

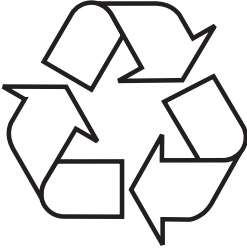
The information about the climate range of the appliance is provided on the rated plate. It indicates at which ambient temperature (that is, room temperature, in which the appliance is working) the operation of the appliance is optimal (proper).

Climate class		Allowable ambient temperature
SN	Extended Temperate	This refrigeration appliance is intended for use at an ambient temperature ranging between 10°C and 32°C
N	Temperate	This refrigeration appliance is intended for use at an ambient temperature ranging between 16 °C and 32°C
ST	Subtropical	This refrigeration appliance is intended for use at an ambient temperature ranging between 16 °C and 38 °C
T	Tropical	This refrigeration appliance is intended for use at an ambient temperature ranging between 16 °C and 43 °C

* Only free-standing appliances

** According to the model

UNPACKING



During transportation, protective packaging was used to protect the appliance against any damage. After unpacking, please dispose of all elements of packaging in a way that will not cause damage to the environment. All materials used for

packaging the appliance are environmentally friendly; they are 100% recyclable and are marked with the appropriate symbol. Important! Packaging materials (bags, polyethylene, polystyrene, etc.) should be kept away from children during unpacking.

DISPOSAL OF OLD APPLIANCE



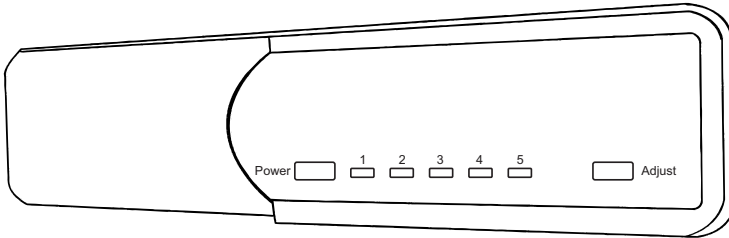
In accordance with European Directive 2012/19/EU and local legislation regarding used electrical and electronic goods, this appliance is marked with the symbol of the crossed-out waste container. This marking indicates that the appliance must not be disposed of together with other household waste after it has been used. The user is obliged to hand it

over to waste collection centre collecting used electrical and electronic goods. The collectors, including local collection points, shops and local authority departments provide recycling schemes. Proper handling of used electrical and electronic goods helps avoid environmental and health hazards resulting from the presence of dangerous components and the inappropriate storage and processing of such goods.

CONTROLS

Appliance controls

The control panel is shown in figure 10. For reference it is also shown below:



Adjust temperature inside the appliance

1. Press **Adjust** to adjust the temperature inside the chamber. Select the setting from 1 to 5. 1 — the highest temperature; 5 — the lowest temperature.
2. Press and hold **Power** for 3 seconds to turn off the appliance. The button lights up and the power is disconnected. Lighting inside the refrigerator chamber and the compressor turn off. Press and hold the button for 3 seconds to turn on the appliance again. Indicator lights up when the power is on.

Additional information on the temperature

- The temperature inside the appliance is influenced by many factors. How you set the temperature control dial depends on the ambient temperature, sun exposure, how often you open the door and the amount of food stored. The middle setting of the dial is most optimal in most cases.
- Do not put food into the fridge freezer before it has reached its operating temperature, which takes minimum 4 hours.
- Do not change the temperature settings due to the change in the season of the year. The ambient temperature increase will be detected by the sensor and the compressor will be switched on automatically for a longer period of time in order to maintain the temperature set inside the chambers.
- The slight changes in temperature are perfectly normal and may occur, for instance during the storage of great quantities of fresh products in the fridge, or when the door is open for a longer period of time. This will not affect the condition of the stored foodstuff, and the temperature will quickly return to its set value.

Door alarm

If the door remains open for more than 3 minutes, an acoustic signal sounds. In addition, the refrigerator lights flash. The signals indicate that the door must be closed as quickly as possible to avoid an unnecessary rise in temperature and thus increased electricity consumption. By pressing the alarm symbol or by closing the door, the alarm can be switched off.

OPERATION AND FUNCTIONS

Storage of food in the fridge-freezer

- The products should be placed on plates, in containers or packed in food wrap. Distribute them evenly over the shelves.
- If the food contacts the rear wall, it may cause frosting or wetting of the products.
- Do not put dishes with hot food into the fridge
- Products which absorb flavours easily such as butter, milk, white cheese and products with intense flavour, such as fish, smoked meat, hard cheese must be placed on shelves, packed in food wrap or in tightly sealed containers.
- The storage of vegetables containing significant quantities of water will cause the deposition of condensation on the vegetable containers, it does not impact on the proper functioning of the fridge.
- Before putting the vegetables into the fridge, dry them well.
- Excessive moisture shortens the shelf life of vegetables, especially the leafed vegetables.
- Do not wash the vegetables before storing in the refrigerator. Washing removes the natural protection, therefore it is better to wash the vegetables directly before consumption.
- It is recommended to place the products in freezer drawers 1, 2, 3* up to natural loading capacity (Fig. 11a / 11b).**
 1. Packed products
 2. Shelf
 3. Natural loading capacity
 4. ❌***
- Stacking of products on the freezer shelves is acceptable.*
- It is acceptable to place products beyond the natural loading capacity by 20-30 mm.**
- In order to increase the loading capacity of the freezer chamber and allow the stacking of products on the freezer evaporator wire shelves up to maximum height it is possible to remove drawers 1 and 2.*

Freezing food**

- Practically all the food products, except for vegetables consumed raw, such as lettuce can be frozen.
- Only food products of the highest quality, divided into small portions for single use, should be frozen.
- Products should be packed in materials that are odourless, resistant to air and moisture penetration, and not susceptible to fat. Plastic bags, polyethylene and aluminium sheets are the best wrapping materials.
- The packaging should be tight and should stick to the frozen products. Do not use glass containers.
- Keep fresh and warm foodstuff at ambient temperature away from the products, which have already been frozen.
- We advise you not to place more of fresh food at a time to the freezer per day (see table with technical specification).

- In order to maintain optimum quality of the frozen food, reorganise the food that is in the middle of the freezer, so that it does not touch the products that are not yet frozen.
- It is recommended that you move the already frozen products to one side and place the fresh products that are to be frozen on the opposite side, as close to the rear and side walls as possible.
- To freezing products, use space marked **(❄️***❄️)**.
- Bear in mind that the temperature in the freezer is affected by several factors, including the ambient temperature and the quantity of food products in the chamber, the frequency of opening the door, the amount of frost in the freezer, and the thermostat setting.
- If you cannot open the freezer door immediately after closing it, allow 1-2 minutes for the negative pressure to compensate, and try again to open the door.

The storage time for frozen products depends on their quality before freezing when fresh, and on the storage temperature. The following storage periods are recommended when the temperature of -18°C or lower is maintained:

Products	Months
Beef	6-8
Veal	3-6
Giblets	1-2
Pork	3-6
Poultry	6-8
Eggs	3-6
Fish	3-6
Vegetables	10-12
Fruit	10-12

Do not store frozen food in rapid cooling chamber. Ice cubes can be prepared and stored in this chamber.

Note: If the appliance does not have a freezer compartment (**(❄️***❄️)**), it is not suitable for freezing foodstuffs.

* Applicable to appliances with a freezer compartment at the bottom of the appliance.

** Applicable to appliances with a freezer compartment **(❄️***❄️)**

*** Not applicable to appliances with a freezer compartment marked **(❄️***❄️)**

USING THE REFRIGERATOR EFFICIENTLY

Practical everyday tips

- Do not place fridges or freezers next to radiators, heaters, stoves or in direct sunlight.
- Make sure that air vents are not covered up and clean the dust off them once or twice a year.
- Select the right temperature: 6 to 8°C in your refrigerator and -18°C in your freezer is sufficient.
- When on holiday, turn up the temperature in your fridge.
- Only open your fridge or freezer when necessary. It helps if you know what food each contains and where it is located. Return food to the fridge or freezer as soon as possible after you have used it so that it does not warm up too much.
- Wipe the inside of your fridge regularly with a cloth soaked in a mild detergent. Appliances which are not self-defrosting will require regular defrosting. Do not allow frost layers thicker than 10 mm to form.
- Keep the seal around the door clean, otherwise it will not shut properly. Always replace broken seals.

Understanding the stars



Temperature is at least -6°C; sufficient to store frozen food for about a week. Drawers or compartments marked with one star used to be a feature of (mostly) cheaper fridges.



Food can be stored at -12°C or below for 1-2 weeks without losing its taste. Not suitable for freezing food.



This rating is mainly used to store foods at -18°C or below. Can also be used to freeze up to 1 kilogram of fresh food.



This appliance is suitable for storing foods at -18°C or below and freezing larger quantities of fresh foods.

Practical tips

Due to the natural circulation of the air in the appliance, there are different temperature zones in the refrigerator chamber.

- The coldest area is directly above the vegetables drawers. Use this area for all delicate and highly perishable food e.g.:
 - Fish, meat, poultry
 - Sausage products, ready meals
 - Dishes or baked goods containing eggs or cream
 - Fresh dough, cake mixtures
 - Pre-packed vegetable and other fresh food with a label stating it should be kept at a temperature of approx 4°C.
- The warmest area is in the top section of the door. Use this for storing butter and cheese.

Food that should not be stored in a refrigerator

- Not all food is suitable for storing in the refrigerator, particularly:
 - Fruit and vegetables which are sensitive to cold, such as bananas, avocado, papaya, passion fruit, aubergines, peppers, tomatoes and cucumbers.
 - Fruit which is not yet ripe
 - Potatoes

Warning:

Example of storing the food - see figure 12.

To achieve the most effective food preservation for the longest possible time and to avoid wasting any food, position the products as shown in Figure 12. In addition, this figure illustrates the layout of drawers, baskets and shelves, which allows the most efficient use of energy.

Optimal temperature and storage conditions will extend product shelf life and optimize electricity consumption. Optimal storage temperature range should be stated on the food product packaging.

DEFROSTING, WASHING AND MAINTENANCE

Never clean the product's casing or plastic parts using solvents or strong, abrasive detergents (e.g. washing powders or creams)! Use mild liquid detergents and soft cloths only. Do not use sponges.

External surfaces made of plastic should be cleaned with a microfiber cloth, otherwise irreversible micro scratches will appear.

Defrosting the fridge***

- Frost settles on the rear wall of the fridge chamber. It is removed automatically. During the defrosting, the condensate, which contains contaminants may clog the opening in the through. Should it occur, carefully unclog the opening with the cleaning plug (fig. 13).
- The appliance operates in cycles: it refrigerates (then the frost settles on the rear wall), and defrosts (water flows down the rear wall)
- Disconnect the appliance from the mains before cleaning by removing the plug from the mains socket or switching off the fuse. Prevent water from penetrating the control panel or the light.
- Do not use defrosting aerosols. They may cause the formation of an explosive mixture, or contain solvents which may damage the plastic components of the appliance and even be harmful to health.
- Make sure the water used for cleaning does not flow into the evaporation container through the discharge opening.
- The whole appliance, except for the door gasket must be cleaned with a mild cleaning detergent. The door gasket should be cleaned with water and wiped dry.
- Wash all the accessories (vegetable containers, door shelves, glass shelves, etc.).
- **WARNING:** Do not use mechanical devices or other means to accelerate the defrosting process, other than those recommended by the manufacturer

Defrosting the freezer**

- It is recommended to combine defrosting the appliance with washing it.
- Excessive accumulation of ice on the freezing areas impairs the appliance's freezing capacity and increases the energy consumption.
- Defrost the appliance at least once or twice a year. In case of a higher ice build-up, defrosting must be carried out more frequently.
- If there is food in the freezer, set the knob to the max. position about 4 hours before the planned defrosting. This will ensure the possibility of storing the food at the ambient temperature for a longer time.
- After taking the food out of the freezer, put it in a container, wrap it with several layers of paper, a blanket and store it at a cool place.
- The defrosting operation should last as short as possible. Long storage of food at the ambient temperature shortens their shelf life.

Defrost the freezer chamber following steps:**

- Switch of the appliance using the control panel and pull the plug out from the socket..
- Open the door and remove the food from the freezer.
- Depending on the model, pull out the drainage tube located in the bottom of the freezer compartment and place a suitable vessel underneath.
- Leave the door open, this will speed up the defrost process. Additionally, a pot with hot water (not boiling) may be placed inside the freezer compartment.
- Wash the interior of the freezer and wipe it dry.
- Switch on the appliance as per the relevant point in the manual.

Automatic fridge defrosting****

The fridge chamber has been equipped with an automatic defrosting function. However, frost may settle on the rear wall of the fridge chamber. This happens usually, when large quantities of fresh food products are stored in the fridge.

Automatic fridge defrosting****

The freezer chamber has been equipped with an automatic defrosting function (no-frost). The food is frozen in the cooled circulation air, and the moisture from the freezer chamber is discharged outside. As a result, no ice and frost is produced in the freezer and the products do not freeze on each other.

Washing the fridge and freezer chambers manually****

It is recommended to wash the fridge and freezer chambers at least once a year. This prevents the formation of bacteria and bad odours. Switch off the appliance, using button (1), remove the food from the chambers and wash them using water with a mild detergent. Then, wipe the chambers dry with a cloth.

Taking out and putting in the shelves*****

Slide the shelf out, then slide it in as much as possible so that its clamp could fit the guide groove (fig. 15).

Taking out and putting in the door shelf*****

Lift the door shelf, remove it and put it back from the top into its required position (fig. 16).

WARNING! You must not put an electric heater, a heating fan or a hair dryer into the freezer by any means.

** Applicable to appliances with a freezer compartment  ****

*** Not applicable to appliances with a Frost-free System.
Applicable to appliances with a refrigerator compartment
Not applicable to appliances with a Frost-free System.

**** Applicable to appliances with a Frost-free System.

***** Does not apply to freezers

TROUBLE-SHOOTING

Problems	Possible causes	Remedies
The appliance does not work	The electric circuit is disrupted	<ul style="list-style-type: none"> - check whether the plug is properly inserted into the socket - check whether the power cable of the appliance is not damaged - check whether there is voltage in the socket, by plugging another appliance, e.g. a night lamp - check whether the appliance is switched on by setting the thermostat to a position above 0.
The lighting inside the chamber does not work	The bulb is loose or fused (only appliances with bulb lightning type)	- fit the bulb correctly or replace it (see section above "Replacing the interior light bulb")
The appliance works continuously	Incorrect setting of the adjustment knob See. "Temperature inside the appliance is not low enough for description of other possible causes"	- reset the knob to a lower position See. "Temperature inside the appliance is not low enough for description of other possible remedies"
Water collects in the lower part of the appliance	The water discharge opening is clogged (depending on the model)	- clean the discharge opening (see the operating manual – chapter entitled "Defrosting the fridge")
	Internal air circulation obstructed	- place the food and containers in such a way as that they do not touch the rear wall of the fridge
The appliance generates unusual noise	Incorrect levelling of the appliance	- level the appliance properly
	The appliance is touching furniture and/or other objects	- place the appliance at a location that ensures proper clearances around it

Problems	Possible causes	Remedies
Temperature inside the appliance is not low enough or too high	Incorrect setting of the adjustment knob	- reset the knob to a higher position
	The ambient temperature is higher or lower than the climate range from table with technical specification	- the appliance is adapted to operation in the climate range from table with technical specification.
	The appliance is located in a sunlit place or near heat sources	- move the appliance to another place. Observe the guidelines contained in the manual
	Too much warm food loaded at a time	- wait 72 hours until the food becomes cool (freezes) and the required temperature is reached inside the chamber
	Internal air circulation obstructed	- place the food and containers in such a way that they do not touch the rear wall of the fridge
	The air circulation at the back of the appliance is obstructed	- move the appliance min. 30 mm away from the wall
	The door of the fridge/freezer is opened too often and/or remains open for too long	- reduce the frequency of opening the door and/or shorten the time when door remains open
	The door does not close completely	- place the food and containers so that they would not interfere with door closed
The compressor is switched on too rarely	- check whether the ambient temperature is not lower than climate class	
Door gasket inserted incorrectly	- press the gasket in	

Certain sounds can be heard during normal use of the refrigerator, which do not affect its correct operation.

Sounds, which can be easily prevented:

- noise caused by the appliance which is not level - adjust the position with the adjustable turn-in front feet. Alternatively, place pads made of soft material under the rear rollers, especially when the appliance is placed on tiles.
- touching the adjacent piece of furniture - move the refrigerator away.
- creaking of the drawers or shelves - take out and put back the drawer or shelf.
- sounds of clinking bottles - move bottles apart.

Sounds heard during normal use are mainly due to operation of the thermostat, compressor (switching on) and cooling system (thermal expansion and contraction of the radiator caused by flow of the cooling agent).

Kære kunde!

Dette produkt er yderst nemt at bruge og meget effektivt. Før produktet blev pakket og sendt fra producenten, blev det tjekket grundigt med hensyn til sikkerhed og funktionalitet.

Læs denne betjeningsvejledning omhyggeligt, inden produktet tages i brug.

GRAM

VEJLEDNING I SIKKER BRUG

- Dette apparat er kun beregnet til husholdningsbrug.
- Producenten forbeholder sig ret til at indføre ændringer, som ikke påvirker betjeningen af apparatet.
- Nogle af beskrivelserne i denne brugervejledning er fælles for køleprodukter af forskellige typer (køleskab, kombineret køle/fryseskab eller fryser)
- Producenten kan ikke holdes ansvarlig for skade, der er forårsaget af manglende overholdelse af instruktionerne i denne vejledning.
- Gem denne vejledning til fremtidig brug eller overdrag den til den næste bruger.
- Dette apparat er ikke beregnet til brug af personer (herunder børn) med fysiske, mentale eller sensoriske handicap eller personer, som er uerfarne eller ubekendte med apparatet.
- Lad ikke børn benytte apparatet uden opsyn. Lad ikke børn lege med apparatet. De må ikke kravle ind i skufferne og svinge på dørene.
- Apparatet fungerer korrekt ved den omgivende temperatur (se produktskiltet). Bør ikke bruges i en kælder eller et uopvarmet sommerhus om efteråret og vinteren.
- Ved anbringelse, flytning og løft af apparatet, må der ikke holdes i håndtagene, trækkes i kondensatoren på bagsiden af køleskabet og kompressoren må ikke berøres.
- Under transport, flytning og anbringelse af køle/fryseskabet må det ikke hældes mere end 40° i forhold til lodret position. Skulle den situation

opstå, må apparatet først tændes mindst 2 timer efter, at det er anbragt i den korrekte position (fig. 2).

- Tag stikket ud af stikkontakten før al vedligeholdelsesaktivitet. Træk ikke i ledningen, men tag fat i selve stikket.
- Den "knasende" lyd, som apparatet måske udsender, skyldes udvidelse og sammentrækning af delene, som resultat af temperatursvingninger.
- Af sikkerhedsmæssige årsager må du ikke selv reparere apparatet. Reparationer, udført af personer, som ikke har de fornødne kvalifikationer, kan resultere i alvorlig fare for brugeren af apparatet.
- Udluft det rum, hvor apparatet placeres, i nogle få minutter (størrelsen af rummet for et produkt, der indeholder isobutan/R600a, skal være mindst 4 m³) for at undgå skade på kølesystemet.
- Genfrys ikke delvist optøede produkter.
- Opbevar ikke drikkevarer i flasker og dåser, (især drikkevarer med kulsyre) i fryserummet. Dåserne og flaskerne kan eksplodere.
- Tag ikke produkter, der er taget direkte ud af fryseren (ispinde, isterninger osv.) i munden, da deres lave temperatur kan forårsage alvorlig forfrysning.
- Sørg for ikke at ødelægge kølesystemet ved at punktere kølerørene i fordampere eller ved at brække rørene. Kølevæsken er brandfarlig. Hvis kølevæsken kommer i øjnene, skal de renses med rent vand, og der skal søges lægehjælp øjeblikkeligt.
- Hvis strømkablet bliver beskadiget, skal det udskiftes med et nyt hos en specialreparatør.
- Dette apparat er kun beregnet til opbevaring af madvarer og bør ikke bruges til andre formål.
- Når der udføres aktiviteter som rengøring, vedligeholdelse eller flytning, skal apparatet afbrydes

fuldstændig fra strømforsyningen (ved at tage stikket ud af stikkontakten)

- Dette apparat kan bruges af børn på 8 år og derover samt ældre personer med fysiske, mentale eller sensoriske handicap eller personer, som er uerfarne eller ubekendte med apparatet, under forudsætning af, at de vejledes eller er blevet instrueret i at bruge apparatet på sikker måde og er bekendte med de risici, der er forbundet med brug af apparatet. Sørg for, at børn ikke leger med apparatet. Rengøring og vedligeholdelse af apparatet bør ikke udføres af børn, medmindre de er 8 år eller derover og vejledes af en kompetent person.
- For at få mere plads i fryseren, kan du fjerne skufferne og placere madvarerne direkte på hylderne. Dette påvirker ikke produktets mekaniske egenskaber og køleevne. Den angivne frysekapacitet er beregnet med skufferne fjernet.



ADVARSEL: Brandfare/antændelige materialer





- Børn mellem 3 og 8 år må gerne tage ting ud af og lægge ting ind i køleapparater.

Følgende vejledning bedes fulgt for at undgå forurening af fødevarer:

- Åbning af døren i længere perioder kan hæve temperaturen betydeligt i apparatet.
- Rengør regelmæssigt overflader, der kan komme i kontakt med fødevarer samt tilgængelige dræningssystemer.
- Opbevar råt kød og rå fisk i passende beholdere i køleskabet, så de ikke kommer i kontakt med eller drypper på andre fødevarer.
- To-stjernede frysebokse er egnede til opbevaring

af allerede frosne fødevarer, til opbevaring eller frysning af is samt til frysning af isterninger.

- En-, to- og trestjernede frysebokse er ikke egnede til indfrysning af friske fødevarer

	Skabstype	Tilsigtet temp. [°C]	Egnede fødevarer
1	Køleskab	+2≤+8	Æg, tilberedt mad, pakkede fødevarer, frugt og grøntsager, mejeriprodukter, kager, drikkevarer samt andre fødevarer, der ikke egner sig til frysning.
2	Fryser 	≤-18	Fisk og skaldyr, ferskvandsprodukter og kødprodukter (anbefales opbevaret i 3 måneder. Jo længere opbevaringstid, jo dårligere smag og næringsindhold). Egnat til frosne, friske fødevarer.
3	Fryser 	≤-18	Fisk og skaldyr, ferskvandsprodukter og kødprodukter (anbefales opbevaret i 3 måneder. Jo længere opbevaringstid, jo dårligere smag og næringsindhold). Ikke egnat til frosne, friske fødevarer.
4	Fryser 	≤-12	Fisk og skaldyr, ferskvandsprodukter og kødprodukter (anbefales opbevaret i 2 måneder. Jo længere opbevaringstid, jo dårligere smag og næringsindhold). Ikke egnat til frosne, friske fødevarer.
5	Fryser 	≤-6	Fisk og skaldyr, ferskvandsprodukter og kødprodukter (anbefales opbevaret i 1 måned. Jo længere opbevaringstid, jo dårligere smag og næringsindhold). Ikke egnat til frosne, friske fødevarer.
6	0-stjernet boks	-6≤0	Friske fødevarer som svinekød, oksekød, fisk, kylling, visse pakkede, behandlede fødevarer osv. (Anbefalet til fortæring samme dag, og ikke senere end 3 dage). Delvist indkapslede, behandlede fødevarer (ikke-fryseegnede fødevarer)
7	Svale	2≤+3	Friske/frosne fødevarer som svinekød, oksekød, kylling, ferskvandsprodukter osv. (7 dage under 0°C og over 0°C anbefales til fortæring samme dag og ikke senere end 2 dage). Fisk og skaldyr (mindre end 0 i 15 dage, det anbefales ikke at opbevare ved over 0°C)
8	Friske fødevarer	0≤+4	Friske fødevarer som svinekød, oksekød, fisk, kylling, tilberedt mad osv. (Anbefalet til fortæring samme dag, og ikke senere end 3 dage).
9	Vin	+5≤+20	Rødvind, hvidvind, mousserende vind osv.

- Bemærk: Opbevar forskellige fødevarer i henhold til dit produkts skabstype eller tilsigtede opbevaringstemperatur.
- Hvis køleapparatet er tomt i længere perioder, skal det slukkes, afises, rengøres, tørres og efterlades med åben dør for at undgå, at der udvikler sig mug i apparatet.
- Rengøring af vandautomat (gælder specielt for produkter med vandautomat): Rengør vandtanken, hvis den ikke har været brugt i 48 timer. Skyl vandsystemet, der er forbundet til vandforsyningen, hvis der ikke har været tappet vand i 5 dage.

INSTALLATION OG BETJENINGFORHOLD FOR APPARATET

Dette køle- og fryseskab er ikke beregnet til indbygning.

Installation af apparatet før det bruges første gang

- Tag produktet ud af emballagen, fjern tapen, der beskytter døren og udstyret. Eventuelle klæbende pletter kan fjernes med en mild sæbe.
- Smid ikke polystyrendelene af emballagen væk. Hvis det er nødvendigt at transportere køle/fryseskabet, kan du pakke det i polystyrendelene og film samt beskytte det med tape.
- Rengør den indre overflade af køleskabet/fryseren samt de forskellige dele med et sæbemiddel, der er opløst i lunkent vand, og tør det derefter helt tørt.
- Placer køleskabet/fryseren på en jævn, flad og stabil overflade i et tørt, luftigt og skygget rum, langt væk fra varmekilder som: ovn, kogeplade, centralvarme, radiatorer, varmerør, varmtvandsinstallationer osv.
- Der kan være en beskyttelsesfilm på produktets yderside, som bør fjernes.
- Kontroller, at apparatet er placeret vandret ved at skrue på de to justerbare ben mod forsiden (fig. 3)
- For at sikre, at døren frit kan åbnes, skal afstanden mellem apparatets side (på den side hvor hængslerne sidder) og væggen være som vist i fig. 5.*
- Sørg for, at der er tilstrækkelig ventilation i rummet og fri luftcirkulation fra alle sider af apparatet (fig. 6).*

Minimumsafstand fra varmekilder

- fra elektriske-, gas- og andre ovne - 30 mm
- fra olie- eller kulfyrede ovne - 300 mm
- fra indbyggede ovne - 50 mm

Hvis det ikke er muligt at overholde disse ovenfor nævnte afstande, bør der installeres en passende isoleringsplade.

Opmærksomhed:

- Køleskabets bagside, især kondensatoren og andre elementer af kølesystemet, må ikke komme i kontakt med andre elementer, som kan beskadige dem (f.eks. centralvarmerør og vandrør).
- Det er forbudt at justere eller modificere nogen dele af enheden. Det er yderst vigtigt ikke at beskadige det hårrør, som ses i kompressorens fordybning. Røret må ikke bøjes, strækkes eller bliver beskadiget.
- Hvis hårrøret beskadiges af brugeren, vil garantien være ugyldig (fig. 8).
- På nogle modeller ligger håndtaget inde i apparatet, og du skal så selv skrue det på med din egen skruetrækker.

Tilslutning til lysnettet

For at sikre din sikkerhed og reducere risikoen for personskade eller elektrisk stød skal du følge alle forholdsregler, der er anført nedenfor.

- Før tilslutning anbefales det at indstille temperaturkontrollens knap til "SLUKKET" eller en anden position, som afbryder apparatet fra strømforsyningen (se siden med beskrivelse af indstillinger).
- Dette apparat skal tilsluttes en AC 220-240V 50Hz-stikkontakt. Stikkontakten skal installeres korrekt og skal være forsynet med en jordforbindelse og en 10A-sikring.
- Det er et lovkrav, at apparatet er korrekt jordforbundet. Producenten kan ikke holdes ansvarlig for nogen skade, der er resultat af, at dette krav ikke overholdes.
- Brug ikke adaptere, stikkontakter med flere stik eller forlængerledninger med to ledere. Hvis det er nødvendigt at bruge en forlængerledning, skal den være forsynet med en beskyttelsesring og et enkelt stik og skal være VDE/GS-sikkerhedscertificeret.
- Hvis der bruges en forlængerledning (med en beskyttelsesring og sikkerhedscertifikat), skal dens stik være i sikker afstand fra køkkenvasken, og den må ikke være et sted, hvor den kan blive oversvømmet af vand eller spildevand.
- Se yderlige specifikationer på typeskiltet på den nederste del af apparatets indervæg**.
- Sørg for, at stikket er let tilgængeligt for at muliggøre afbrydelse fra lysnettet.
- Apparatet skal betjenes af mindst 2 personer.

Afbrydelse fra lysnettet

Vær sikker på, at strømmen til apparatet nemt kan afbrydes, enten ved at trække stikket ud af stikkontakten eller ved at slukke for topols-kontakten. (Fig. 9).

Klimainterval

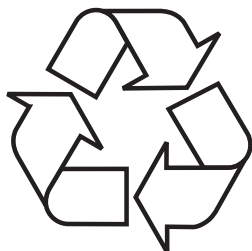
Oplysninger om klimaintervallet fremgår af mærkepladen. Den angiver, i hvilken omgivende temperatur (dvs. temperaturen i det rum, hvor apparatet arbejder) apparatet fungerer bedst (korrekt).

Klimainterval	Acceptabel omgivende temperatur
SN	fra +10 °C til +32 °C
N	fra +16°C til +32 °C
ST	fra +16°C til +38°C
T	fra +16°C til +43°C

* Kun fritstående apparater

** Afhængigt af model

UDPAKNING



Under transporten blev der anvendt beskyttende emballage for at beskytte apparatet mod skade. Efter udpakning bedes al emballage bortskaffes på en måde, som ikke skader miljøet. Alle materialer, der er brugt til apparatets emballage, er miljøvenlige. De er 100 % genanvendelige og er mærket med det relevante symbol.

Vigtigt! Emballagen (poser, polyetylen, polystyren osv.) skal holdes væk fra børn under udpakningen.

BORTSKAFFELSE AF DET GAMLE PRODUKT



I overensstemmelse med det europæiske direktiv 2012/19/EU. Denne mærkning betyder, at apparatet ikke må kasseres sammen med andet husholdningsaffald, når det er udtjent.

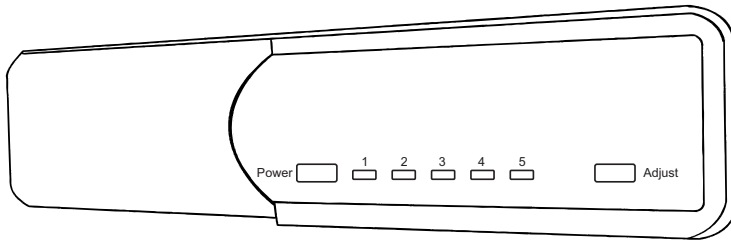
Brugeren er forpligtet til at indlevere det på en genbrugsstation, der indsamler brugt elektrisk og elektronisk udstyr. Indsamlingsinstanser, heriblandt lokale indsamlingssteder, forretninger og lokale myndigheder har genbrugsordninger.

Passende håndtering af brugt elektrisk og elektronisk udstyr hjælper med til at undgå miljømæssige og sundhedsmæssige risici, der skyldes tilstedeværelse af farlige komponenter og uforsvarlig oplagring og behandling af sådant udstyr.

BETJENINGSKNAPPER

Apparatets betjeningsknapper

Betjeningspanelet er vist i figur 10. For reference vises det også herunder:



Indstilling af temperaturen i apparatet

1. Tryk på **Juster** for at justere temperaturen inde i rummet. Vælg indstillingen fra 1 til 5. 1 — den højeste temperatur; 5 — den laveste temperatur.
2. Tryk på **tænd/sluk-knappen** og hold den nede i 3 sekunder for at slukke apparatet. Knappen lyser, og strømmen er afbrudt. Belysningen i køleskabet og kompressoren slukker. Tryk på knappen og hold den nede i 3 sekunder for at tænde apparatet igen. Indikatoren lyser, når strømmen er tændt.

Yderligere information om temperatur

- Temperaturen i apparatet påvirkes af mange faktorer. Hvordan du skal indstille temperaturknappen afhænger af rummets temperatur, udsættelse for sollys, hvor ofte du åbner døren og mængden af mad, der opbevares. I de fleste tilfælde vil en midterindstilling af knappen være optimal.
- Læg ikke madvarer i køleskabet/fryseren, før det har nået sin funktionstemperatur, hvilket tager mindst 4 timer.
- Skift ikke temperaturindstilling på grund af ændrede årstider. Stigningen i den omgivende temperatur vil blive opfanget af sensoren, og kompressoren vil automatisk blive sat til at være tændt længere for at opretholde den indstillede temperatur inde i apparatet.
- Mindre ændringer i temperaturen er helt normale og kan forekomme f.eks. under opbevaring af større mængder af friske produkter i køleskabet, eller hvis døren er åben i en længere periode. Dette vil ikke påvirke de opbevarede madvarer, og temperaturen vil hurtigt vende tilbage til den indstillede.

Døralarm*

Når døren åbnes i 1 minut, udløses døråbningsalarmen. Du kan lukke døren for at slukke alarmen, eller trykke på en hvilken som helst knap for at slukke alarmen. Hvis døren stadig åbner sig efter 1 minut, skal du gentage ovenstående handlinger.

BETJENING OG FUNKTIONER

Opbevaring af madvarer i køleskabet/fryseren

- Produkterne skal være placeret på tallerkner, i beholdere eller indpakket i mademballage. Fordel dem jævnt over hylderne.
- Hvis madvarerne berører bagvæggen, kan det forårsage, at produkterne fryser eller bliver våde.
- Sæt ikke tallerkner med varm mad i køleskabet
- Produkter, som nemt absorberer lugt, såsom smør, mælk, hyvid ost og produkter med en intens lugt, såsom fisk, røget kød og hård ost, skal placeres på hylder, indpakket i fødevareegnet emballage eller i tæt lukkede beholdere.
- Opbevaring af grøntsager med stort vandindhold vil forårsage forekomst af vandansamlinger på grøntsagsbeholderne, og det betyder intet for køleskabet funktion.
- Før grøntsagerne lægges i køleskabet, bør de aftørres godt.
- For megen væde forkorter levetiden for grøntsager, især bladgrøntsager.
- Vask ikke grøntsagerne, før de lægges i køleskabet. Vask fjerner den naturlige beskyttelse, og derfor er det bedre, at vaske grøntsagerne lige inden brug.
- Det anbefales at placere produkterne i fryserkufferne 1, 2, 3* op til naturlig opfyldningskapacitet (Fig. 11a/11b).**

1. Pakkede produkter
2. Hylde
3. Naturlig opfyldningskapacitet
4. ❌***❌

- Stabling af produkterne på fryserhylderne er acceptabelt.*
- Det er acceptabelt at placere produkter over den naturlige opfyldningskapacitet med 20-30 mm.**
- For at øge opfyldningskapaciteten i fryserummet og tillade stabling af produkter på fryserfordamperens trådhylder op til maksimal højde kan de to skuffer 1 og 2 fjernes.*

Frysning af madvarer**

- Praktisk talt alle madvarer kan fryses med undtagelse af grøntsager, der spises rå, såsom salat.
- Kun madvarer af højeste kvalitet, delt op i små portioner til enkelt brug, bør fryses.
- Produkterne bør indpakkes i lugtfrie materialer, der er modstandsdygtige over for indtrængende luft og vand og ikke tager mod fedt. Plastikposer, polyetylen og aluminiumsfolie er de bedste materialer til indpakning.
- Indpakningen skal være tæt og bør fæstne sig til de frosne produkter. Brug ikke glasbeholdere.
- Hold friske og varme madvarer ved stuetemperatur væk fra de produkter, der allerede er frosne.
- Vi anbefaler, at du ikke lægger mere frisk mad i fryseren ad gangen per dag (se tabellen med tekniske specifikationer).

- For at opretholde den højeste kvalitet af de frosne madvarer, bør du omorganisere maden, der ligger midt i fryseren, så den ikke rører de produkter, som endnu ikke er frosne.
- Det anbefales, at du flytter de allerede frosne produkter over i den ene side og placerer de friske produkter, der skal fryses, i den modsatte side, så tæt på side- og bagvæggene som muligt.
- Brug den plads, der er markeret (*/****) ved frysning af produkter.
- Husk, at temperaturen i fryseren påvirkes af adskillige faktorer, heriblandt den omgivende temperatur og mængden af madvarer i fryseren, hvor ofte døren åbnes, mængden af is i fryseren og termostatsens indstilling.
- Hvis du ikke kan åbne fryserdøren lige efter at have lukket den, lad der da gå 1-2 minutter for at udligne det negative tryk, og prøv så at åbne døren igen.


Opbevaringstiden for frosne produkter afhænger af deres kvalitet før frysningen, da de var friske, og af opbevaringstemperaturen. Følgende opbevaringstider anbefales, når temperaturen er -18 °C eller lavere:

Produkter	Måneder
Oksekød	6-8
Kalvekød	3-6
Indmad	1-2
Svinekød	3-6
Fjerkræ	6-8
Æg	3-6
Fisk	3-6
Grøntsager	10-12
Frugt	10-12

Opbevar ikke frosne madvarer i hurtigfrysningsrummet. Isterninger kan fryses og opbevares i dette rum.

* Gælder for apparater med en fryseafdeling i bunden af apparatet.

** Gælder for apparatet med en fryseafdeling 

*** Gælder ikke for apparater med en fryseafdeling med markeringen 

EFFEKTIV BRUG AF KØLESKABET

Praktiske hverdagstips

- Placer ikke køleskabe eller fryserer ved siden af radiatorer, varmeapparater, ovne eller i direkte sollys.
- Sørg for, at luftventiler ikke er tildækkede, og rens dem for støv en til to gange årligt.
- Vælg den rigtige temperatur: 6 til 8 °C i dit køleskab og -18 °C i din fryser er tilstrækkeligt.
- Skru op for temperaturen i køleskabet, hvis du er på ferie.
- Luk kun køleskab og fryser op, når det er nødvendigt. Det hjælper, hvis du ved, hvilke madvarer der er i dem, og hvor de ligger. Læg madvarerne tilbage i køleskabet eller fryseren, så snart du er færdig med at bruge dem, så de ikke bliver for varme.
- Tør jævnligt indersiden af køleskabet af med en klud med et mildt rengøringsmiddel. Apparater, der ikke er selvafrimende, skal afrimes regelmæssigt. Lad ikke islaget blive tykkere end 10 mm.
- Hold forseglingen rundt om døren ren, da den ellers ikke vil lukke ordentligt. Udskift altid beskadigede forseglinger.

Forklaring på stjernerne



Temperaturen er mindst -6 °C; tilstrækkeligt til at opbevare frosne madvarer i omkring en uge. Skuffer eller afdelinger, markeret med én stjerne, var engang almindelige i især billigere køleskabe.



Madvarer kan opbevares ved -12 °C eller lavere i 1-2 uger uden at miste smag. Ikke egnet til frysning af madvarer.



Bruges til at opbevare madvarer ved -18 °C eller lavere. Kan også bruges til at fryse op til 1 kg friske madvarer.



Dette apparat er passende til opbevaring af madvarer ved -18 °C eller lavere og til at fryse større mængder af friske madvarer.

Opbevaringszoner i køleskabet

På grund af den naturlige luftcirkulation i apparatet, er der forskellige temperaturzoner i køleskabsrummet.

- Det koldeste område er lige over grøntsagsskuffen. Brug dette område til alle sarte og let fordærlige varer såsom
 - Fisk, kød, fjerkræ
 - Pølseprodukter, færdigretter
 - Retter eller bagværk, der indeholder æg eller creme
 - Frisk dej, kageblandinger
 - Forudpakkede grøntsager og andre friske madvarer med en etiket, der siger, at de skal opbevares ved en temperatur på ca. 4 °C.
- Det varmeste område er topsektionen af døren. Brug denne til opbevaring af ost og smør.

Madvarer, der ikke bør opbevares i køleskab

- Det er ikke alle madvarer, der egner sig til opbevaring i køleskab, især:
 - Frugt og grøntsager, der er kuldefølsomme, såsom bananer, avocado, papaya, passionsfrugt, auberginer, peberfrugter, tomater og agurker.
 - Umoden frugt
 - Kartoffler

Opmærksomhed:

Eksempel på opbevaring af mad - se figur 12.

AFRIMNING, RENGØRING OG VEDLIGEHOLDELSE

Rengør aldrig produktets yderside eller plastikdele ved brug af opløsningsmidler eller stærke ridsende midler (f.eks. vaskepulver eller skurecreme)! Brug kun mildt rengøringsmiddel og bløde klude. Brug ikke svampe.

Afrimning af køleskabet***

- Der sætter sig is på køleskabets bagvæg. Det fjernes automatisk. Under afrimningen kan kondensvandet, som indeholder snavs, blokere åbningen til afrimningsbakken. Hvis det sker, kan du forsigtigt rense åbningen med rensespinden (fig. 13).
- Apparatet arbejder i cyklusser: Det køler (så sætter der sig is på bagvæggen) og afrimer (der løber vand ned ad bagvæggen)
- Før rengøring skal du afbryde strømmen til apparatet ved at fjerne stikket fra stikkontakten eller ved at slukke for sikringen. Undgå, at vandet trænger ind i betjeningspanelet eller lampen.
- Brug ikke afisende sprayflasker. De kan forårsage, at der dannes en eksplosiv blanding, eller de indeholder opløsningsmidler, som kan skade apparatets plastikdele og endda være sundhedsfarlige.
- Sørg for, at det vand, der bruges til rengøring, ikke flyder ned i fordampningsbakken gennem åbningen.
- Hele apparatet, med undtagelse af dørens forsegling, skal renses med et mildt rengøringsmiddel. Dørforseglingen renses med vand, og tørres helt af.
- Vask alt tilbehør (grøntsagsbeholdere, dørhylde, glashylde osv.).

Afrimning af fryseren***

- Det anbefales at kombinere afrimning af apparatet med at vaske det.
- For meget akkumulation af isdannelse i fryseområderne nedsætter apparatets frysekapacitet og øger energiforbruget.
- Afrim apparatet mindst en til to gange årligt. I tilfælde af at der dannes mere is, skal afrimning ske hyppigere.
- Hvis der er madvarer i fryseren, sættes knappen til højeste position omkring 4 timer før den planlagte afrimning. Det vil forbedre muligheden for at opbevare madvarerne ved den omgivende temperatur i længere tid.
- Når madvarerne er taget ud af fryseren, lægges de i en container, pakkes ind i adskillige lag papir og et tæppe og opbevares på et køligt sted.
- Afrimningen bør tage så kort tid som muligt. Lang opbevaring af madvarer ved den omgivende temperatur forkorter deres levetid.

For at afrime fryserummet, skal du udføre følgende trin:**

- Sluk for apparatet ved brug af betjeningspanelet, og tag stikket ud af stikkontakten.
- Luk døren op, og fjern madvarerne fra fryseren.
- Afhængigt af modellen, trækkes dræningsrøret i bunden af fryseren ud, og placeres over en passende skål.
- Lad døren stå åben, da det vil gøre afrimningen hurtigere. Der kan desuden sættes en skål med varmt vand (ikke kogende) ind i fryseren.
- Vask fryserens inderside, og tør den af, så den er helt tør.
- Tænd for apparatet i henhold til brugervejledningen.

Automatisk afrimning af køleskabet***

Køleskabet er forsynet med en automatisk afrimningsfunktion. Det kan imidlertid ske, at der sætter sig is på køleskabets bagvæg. Dette sker som regel, når der opbevares store mængder af friske madvarer i køleskabet.

Automatisk afrimning af køleskabet***

Fryseren er forsynet med en automatisk afrimningsfunktion (ingen isdannelse). Madvarerne fryses i den kolde cirkulationsluft, og fugten fra fryseren ledes udenfor. Resultatet er, at der ikke dannes is i fryseren, og at produkterne ikke fryser sammen.

Manuel vask af køleskabs- og fryserum****

Det anbefales at vaske indersiden af køleskab og fryser mindst én gang årligt. Det forhindrer dannelse af bakterier og dårlig lugt. Sluk for apparatet med knappen (1), tag madvarerne ud, og vask apparaternes inderside ved brug af vand med et mildt rengøringsmiddel. Tør derefter af med en klud, så de bliver helt tørre.

Udtagning og isætning af hylderne

Træk hylden ud, og skub den derefter så langt ind, at dens klemme passer ind i styrelisten (fig. 15).

Udtagning og isætning af dørhylderne

Løft dørhylden, tag den ud, og sæt den tilbage ovenfra til den ønskede position (fig. 16).

Du må under ingen omstændigheder placere en elektrisk opvarmer, ventilator eller hårtørrer i fryseren.

** Gælder for apparater med et fryserum ☒☒☒.

Gælder ikke for apparater med et frostfrit system.

*** Gælder for apparater med et fryserum.

Gælder ikke for apparater med et frostfrit system.

**** Gælder for apparater med et frostfrit system.

FEJLFINDING

PROBLEM	Mulige årsager	Løsninger
Apparatet virker ikke	Det elektriske kredsløb er afbrudt	<ul style="list-style-type: none"> - kontroller, at stikket sidder korrekt i stikkontakten - kontroller, at ledningen til apparatet ikke er beskadiget - kontroller, om der er strøm i stikkontakten ved at sætte et andet apparat i den, f.eks. en lampe - kontroller, at apparatet er tændt ved at sætte termostaten til en position højere end 0
Lyset inde i apparatet virker ikke	Pæren sidder løst eller er sprunget (kun for apparater med pære som lyskilde)	- sæt pæren fast eller udskift den (se ovenstående afsnit "Udskiftning af pæren")
Apparatet arbejder uafbrudt	Forkert indstilling af justeringsknappen	- sæt knappen til en lavere position
	Se "Temperaturen inde i apparatet er ikke lav nok" for en beskrivelse af andre mulige årsager	Se "Temperaturen inde i apparatet er ikke lav nok" for en beskrivelse af andre mulige løsninger
Der samler sig vand i bunden af apparatet	Åbningen til vandudledning er blokeret (afhængigt af model)	- rens åbningen (se brugervejledningen – afsnittet "Afrimning af køleskabet")
	Den indre luftcirkulation er forhindret	- placer madvarer og beholdere sådan, at de ikke berører køleskabets bagvæg
Apparatet afgiver en usædvanlig lyd	Apparatet er ikke placeret helt vandret	- juster placeringen, så apparatet står helt vandret
	Apparatet berører møbler og/eller andre ting	- placer apparatet et sted, hvor der er tilstrækkelig plads omkring det

PROBLEM	Mulige årsager	Løsninger
Temperaturen inde i apparatet er ikke lav nok eller for høj	Forkert indstilling af justeringsknappen	- sæt knappen til en højere position
	Den omgivende temperatur er højere eller lavere end klimaintervallet fra tabellen med tekniske specifikationer	- apparatet er indstillet til at virke indenfor det klimainterval, der fremgår af tabellen med tekniske specifikationer
	Apparatet står i sollys eller i nærheden af en varmekilde	- flyt apparatet til en anden placering Overhold anbefalingerne i denne brugervejledning
	For meget varm mad lagt i samtidigt	- vent 72 timer indtil maden er blevet kold (frossen), og den ønskede temperatur vil da være opnået igen
	Den indre luftcirkulation er forhindret	- placer madvarer og beholdere sådan, at de ikke berører køleskabets bagvæg
	Luftcirkulationen på apparatets bagside er forhindret	- flyt apparatet mindst 30 mm ud fra væggen
	Døren til køleskabet/fryseren åbnes for ofte eller står åben for længe	- luk døren op mindre hyppigt og i kortere tidsperioder
	Døren lukker ikke helt	- placer madvarer og containere, så de ikke er i vejen for lukning af døren
Kompressoren tænder ikke ofte nok	- kontroller, at den omgivende temperatur ikke er lavere end angivet i klimatabellen	
Dørforseglingen sidder forkert	- pres forseglingen ind	

Visse lyde kan høres under normal brug af køleskabet, hvilket ikke påvirker dets korrekte funktion.

Lyde, som nemt kan undgås:

- lyd fra apparatet, hvis det ikke står vandret - juster positionen ved hjælp af de forreste justerbare fødder. Alternativt kan der placeres puder af blødt materiale under de bageste hjul, især hvis apparatet står på fliser.
- berøring af nærtstående møbel - flyt køleskabet væk.
- knagende lyd fra skuffer eller hylder - tag dem ud, og sæt dem i igen.
- lyde af klirrende flasker - flyt flaskerne væk fra hinanden.

Lyde, der høres under normal brug, kommer som regel fra termostaten, kompressoren (når den tændes) og kølesystemet (termal udvidelse og sammentrækning af radiatoren på grund af kølemidlets bevægelse).

BÄSTA KUND!

Denna produkt förenar användarvänlighet med utmärkt prestanda. Innan produkten lämnade vår fabrik kontrollerades den noga avseende säkerhet och funktion.

Läs igenom användarmanualen noga innan du börjar använda produkten.

GRAM

SÄKERHETSANVISNINGAR

- Produkten är endast avsedd för hushållsbruk.
- Tillverkaren förbehåller sig rätten till ändringar som inte inverkar på produktens funktioner.
- Somliga av beskrivningarna i den här användarmanualen är enhetliga för olika typer av produkter för att kyla livsmedel (kylskåp, kyl/frys eller frys). Information om produkttypen finns i medföljande tekniska datablad.
- Tillverkaren ansvarar inte för skador som uppstår på grund av att instruktionerna i manualen inte har följts.
- Spara manualen för framtida bruk och lämna med den om produkten byter ägare.
- Apparaten är inte avsedd att användas av personer (inklusive barn) med nedsatt fysisk, sensorisk eller mental förmåga, eller som saknar erfarenhet och kunskaper om dess användning, utom om de övervakas eller har instruerats av den som ansvarar för deras säkerhet. I Håll uppsikt över barn så att de inte leker med produkten.
- Barn ska inte använda produkten utan uppsikt. Låt inte barn leka med produkten. De ska inte klättra i lådorna eller gunga på dörren.
- Produkten fungerar korrekt i rumstemperatur (se tabellen med teknisk specifikation). Den ska inte användas i källare eller i ouppvärmda sommarstugor under höst och vinter.
- Produkten får inte ställs upp, flyttas eller bäras i dörrens handtag eller dras i kondensorn på produktens baksida. Rör heller inte vid inte kompressorenheten.
- Produkten ska inte lutas med än 40 grader från sin lodräta position när den transporteras, flyttas

eller ställs på plats. Om detta inträffar ska du inte sätta igång produkten förrän tidigast 2 timmar efter att den har ställts i sitt rätta läge (fig. 2).

- Dra ut kontakten ur strömuttaget innan produkten ska rengöras, skötas eller repareras. Dra ut kontakten i sladden, utan håll i själva kontakten.
- Om du hör knakande ljud från produkten beror de på att komponenterna utvidgas och dras samman på grund av temperaturvariationer.
- Av säkerhetsskäl ska du aldrig själv reparera produkten. Om personer med otillräckliga kunskaper reparerar produkten kan det orsaka allvarliga faror för de som använder produkten.
- Vädra rummet där produkten ska stå i några minuter (ett rum där en produkt som innehåller isobutan/R600a ska stå måste vara minst 4 m³) för att undvika skador på kylsystemet.
- Frys inte om livsmedel som redan har hunnit tina delvis.
- Förvara inte flaskor och burkar, i synnerhet sådana som innehåller kolsyrade drycker, i frysdelen. Burkarna och flaskorna kan explodera.
- Stoppa inte frysta livsmedel (isglass, iskuber o.s.v.) i munnen direkt efter att du tagit dem ur frysen, deras låga temperatur kan orsaka allvarliga förfrysningsskador.
- Var aktsam om kylsystemet så att det inte skadas genom att du punkterar köldmedlets rör i förångaren eller bryter av rören. Köldmedlet är lättantändligt. Spola ögonen rikligt med vatten och uppsök därefter omedelbart läkarvård om du har fått köldmedel i ögonen.
- Om elsladden går sönder ska den ersättas med en ny, som du köper i fackhandeln.
- Den här produkten är avsedd för livsmedelsförvaring och får inte användas för andra ändamål.
- Produkten ska vara helt avskiljd från all strömtill-

försel (dra ut kontakten ur strömuttaget) om du utför arbete på den, som till exempel rengöring, skötsel eller om den ska flyttas.

- Barn bör bara tillåtas använda apparaten själva efter att ha fått noggrann information om hur den används på ett säkert sätt och om riskerna vid felaktig användning.
- För att få mer utrymme i frysen, kan du ta bort lådorna och placera maten direkt på hyllorna. Detta påverkar inte produktens termiska och mekaniska egenskaper. Angiven fryskapacitet beräknades exklusive fryslådorna.



WARNING: Brandrisk/antändliga material

- Barn mellan 3 och 8 år får sätta in och plocka ur varor ur kylan.

Följ anvisningarna nedan för att förhindra att livsmedel förstörs:

- Om kylens dörr är öppen länge kan temperaturen inne i kylens olika fack stiga påtagligt.
- Rengör ytor som kan komma i kontakt med livsmedel och avrinningssystemet regelbundet.
- Rått kött och rå fisk ska förvaras i kylan i lämpliga behållare, så att de inte kommer i kontakt med eller droppar vätska på andra livsmedel.
- Livsmedelsfack med två stjärnor för fryst mat är lämpliga för att förvara fryst mat, för att förvara eller göra glass, och för att göra iskuber.
- Fack med en, två eller tre stjärnor är inte lämpliga för att frysa in färska livsmedel.

	Fack TYP	Mål förvaringstemp. [°C]	Lämpligt livsmedel
1	Kyl	+2≤+8	Ägg, lagad mat, förpackade livsmedel, fukt och grönsaker, mejeriprodukter, tårter, drycker och andra livsmedel som inte passar att frysa.

2	Frys ❄️❄️❄️	≤-18	Fisk och skaldjur (fisk, räkor, andra skaldjur), sötvattensprodukter och köttprodukter (rekommenderad förvaring 3 månader, smak och näringsämnen försämras ju längre produkten förvaras), passar för frysta, färska produkter.
3	Frys ❄️❄️❄️	≤-18	Fisk och skaldjur (fisk, räkor, andra skaldjur), sötvattensprodukter och köttprodukter (rekommenderad förvaring 3 månader, smak och näringsämnen försämras ju längre produkten förvaras), passar inte för frysta, färska produkter.
4	Frys ❄️❄️	≤-12	Fisk och skaldjur (fisk, räkor, andra skaldjur), sötvattensprodukter och köttprodukter (rekommenderad förvaring 2 månader, smak och näringsämnen försämras ju längre produkten förvaras), passar inte för frysta, färska produkter.
5	Frys ❄️	≤-6	Fisk och skaldjur (fisk, räkor, andra skaldjur), sötvattensprodukter och köttprodukter (rekommenderad förvaring 1 månader, smak och näringsämnen försämras ju längre produkten förvaras), passar inte för frysta, färska produkter.
6	Fack med 0 stjärnor	-6≤0	Färskt fläskkött, nötkött, fisk, kyckling, vissa förpackade halvfabrikat, etc. (Rekommenderas ätas samma dag, helst senast inom 3 dagar.) Delvis inkapslad bearbetad mat (mat som inte kan frysas).
7	Sval	2≤+3	Färskt/fryst fläskkött, nötkött, kyckling, sötvattensprodukter, etc. (7 dagar under 0°C ,över 0°C rekommenderas ätas samma dag, helst inom 2 dagar). Fisk och skaldjur (under 0 i 15 dagar, rekommenderas inte att förvaras över 0 °C).
8	Färska livsmedel	0≤+4	Färskt fläskkött, nötkött, fisk, kyckling, tillagad mat, etc. (Rekommenderas ätas samma dag, helst senast inom 3 dagar.)
9	Vin	+5≤+20	Rödvin, vitt vin, mousserande vin etc.

- Märk: förvara olika slags livsmedel i de fack som är avsedda för livsmedlet i fråga eller enligt förvaringstemperaturen som gäller för livsmedlet.
- Om kylan ska vara tom en lägre tid ska den stängas av, avfrostas, rengöras och torkas. Lämna dörren öppen för att förhindra mögelbildning i kylan.
- Rengöra vattenfördelare (gäller endast produkter med vattenfördelare): Rengör vattenbehållare om de inte har använts i 48 timmar, spola igenom vattensystem som är anslutna till en vattentillförsel om inget vatten har använts under 5 dagar.

INSTALLATION OCH FÖRUTSÄTTNINGAR FÖR ANVÄNDNING

Denna kyl- och frysapparat är inte avsedd för inbyggnad.

Installation innan du använder produkten första gången

- Ta ut produkten ur förpackningen och ta bort skyddstejpen från dörren och tillbehören. Eventuella limrester kan tvättas bort med ett mildt diskmedel.
- Släng inte förpackningens delar av polystyren. Om du senare behöver transportera kyl/frysen packar du in den i polystyrendelarna och skyddar den med tejp.
- Tvätta av kyl/frysens inre samt tillbehören med diskmedel och ljummet vatten och torka den med en torkduk.
- Ställ kyl/frysen i skugga på ett jämnt, plant och stadigt underlag i ett torrt, ventilerat utrymme och på avstånd från värmekällor som ugn, spis, värmeelement värmeledningsrör, varmvatteninstallationer o.s.v.
- Produktens utsida kan vara skyddad med skyddsfolie som ska tas bort.
- Försäkra dig om att produkten står vågrätt genom att skruva fast de 2 justerbara fötterna längst fram (fig. 3).
- Avståndet mellan produktens sida (dörrhängningssidan) och väggen så att dörren ska kunna öppnas helt visas i fig. 5.*
- Försäkra dig om att rummet är tillräckligt ventilerat och att luften kan cirkulera fritt på produktens alla sidor (fig. 6).*

Minsta avstånd till värmekällor

- från elektriska, gas eller andra ugnar - 30 mm,
- från olje- eller koleldade ugnar - 300 mm,
- från inbyggda ugnar - 50 mm

Montera en lämplig isoleringsskiva om ovanstående avstånd inte kan hållas.

Var uppmärksam:

- Kylens bakvägg, i synnerhet kondensorn och andra komponenter till kylsystemet, får inte beröra andra element som kan skada dem (t.ex. värmeledningsrör och vattenrör).
- Det är förbjudet att ändra och modifiera någon del av produkten. Det är av yttersta vikt att kapillärroret som syns i kompressorns fördjupning inte skadas. Röret får inte böjas, rätas ut eller vridas.
- Om användaren skadar kapillärroret upphör garantin att gälla (fig. 8).
- På vissa modeller ska handtaget fästas på produkten. Du ska skruva fast det med din egen skruvmejsel.

Strömanslutning

För att garantera din säkerhet och minska risken för skador eller elektriska stötar, följ alla försiktighetsåtgärder som anges nedan.

- Vi rekommenderar att du ställer temperaturreglaget på „OFF”, eller ett annat läge som avskiljer produkten från strömmen, innan du sätter igång produkten (se sidan med beskrivning av reglagen).
- Produkten ska anslutas till ett AC 220-240 V 50 Hz strömutfattag. Uttaget måste vara ordentligt monterat, vara jordat och ha en 10 A säkring.
- Det är fastställt i lag att produkten måste ha korrekt jordning. Tillverkaren övertar inget ansvar för person eller saksador som kan uppstå på grund av att detta krav inte uppfylls.
- Använd inte adapttrar, grenuttag eller tvåtrådiga förlängningssladdar. Om du måste använda en förlängningssladd ska den ha en skyddsring, bara ett uttag samt vara VDE/GS-certifierad.
- Om du använder en förlängningssladd (med skyddsring och säkerhetscertifikat) måste uttaget vara på säkert avstånd från vaskar och får inte placeras på ställen där det kan rinna vatten eller avloppsvatten på det.
- Se märkskylten som sitter på nedre delen av produktens insida för detaljerade specifikationer.**
- Se till att kontakten är lättillgänglig för att kunna kopplas bort från elnätet.
- Enheten måste användas av minst 2 personer.

Avskilja från strömmen

Säkerställ att det går lätt att avskilja produkten från strömmen, antingen genom att dra ut kontakten ur strömutfattaget eller genom att stänga av den tvåpoliga brytaren (fig. 9).

Tillåtet temperaturområde

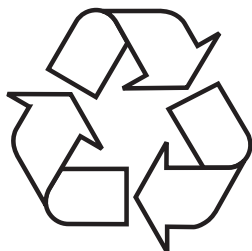
Information om tillåtet temperaturområde finns på skåpets märkskylt. Det anger vid vilken rumstemperatur skåpet fungerar optimalt (korrekt).

Tillåtet temperaturområde	Godkänt temperaturområde
SN	från +10°C till +32°C
N	från +16°C till +32°C
ST	från +16°C till +38°C
T	från +16°C till +43°C

* Gäller inte för inbyggda produkter.

** Förekommer beroende på modell.

UPPACKNING



Produkten har en emballerats i en skyddsförpackning så att den inte skadas under transporten. När du har packat upp produkten ska du avfallshandla allt förpackningsmaterial på ett miljösäkert sätt.

Allt använt förpackningsmaterial är miljövänligt. Det är 100 % återvinningsbart och märkt med en symbol som anger detta.

Viktigt! Låt inte barn leka med förpackningsmaterial (påsar, polyetylen, polystyren etc.) när du packar upp produkten.

SKROTA PRODUKTEN



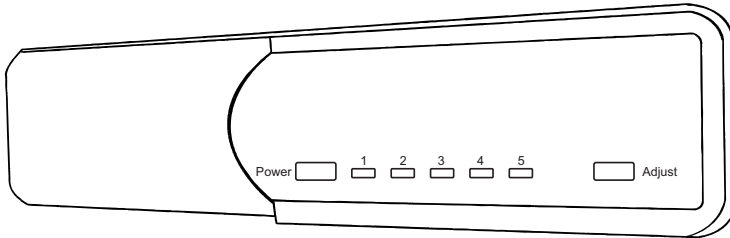
Produkten är i enlighet med det europeiska direktivet 2012/19/EG. Märkningen betyder att produkten inte får slängas i hushållssoporna när den är uttjänt.

Det är köparens ansvar att lämna in den på ett deponeringsställe för elektriskt och elektroniskt skrot. Information om återvinning kan du få från lokala deponeringsställen, i butiker samt från lokala myndigheter. En korrekt hantering av elektriskt och elektroniskt skrot hjälper till att undvika miljö- och hälsorisker som orsakas av farliga komponenter och av en felaktig förvaring och hantering av dessa.

REGLAGE

Produktens reglage

Kontrollpanelen finns avbildad i fig. 10. Den visas även nedan:



Justera temperaturen i produkten

1. Tryck på **justeringsknappen** för att ställa in temperaturen i facket. Välj inställning från 1 till 5. 1 = högsta temperatur; 5 = lägsta temperatur.
2. Håll in **på/av-knappen** i 3 sekunder för att stänga av apparaten. Knappen tänds och apparaten är avstängd. Belysningen i kylskåpsutrymmet och kompressorn stängs av. Håll in på/av-knappen igen i 3 sekunder för att starta apparaten. Indikatorn tänds när apparaten har ström.

Mer information om temperaturen

- Temperaturen inne i produkten påverkas av många faktorer. Hur du ska ställa in temperaturreglaget beror på omgivningstemperaturen, solexponering, hur ofta du öppnar dörren och hur mycket mat du förvarar i produkten. Det mellersta läget är det bästa i alla flesta fall.
- Förvara inte livsmedel i kyl/frysens innan den har uppnått arbetstemperaturen. Detta tar minst 4 timmar.
- Andra inte temperaturinställningarna utifrån årets årstidsväxlingar. En sensor känner av om rumstemperaturen höjs och kompressorn kommer då att stängas av automatiskt en längre tid för att upprätthålla temperaturen i kyl/frysens.
- Mindre temperaturvariationer är helt normala och kan uppstå exempelvis om du stoppar in större mängder rumstempererade eller varma livsmedel i kylan, eller om du har lämnat dörren öppen en längre stund. Det har ingen inverkan på livsmedlens hållbarhet och temperaturen återgår snabbt till den inställda.

Dörrlarm*

Dörröppningslarmet ljuder om dörren står öppen i 1 minut. Du kan stänga av larmet antingen genom att stänga dörren eller genom att trycka på valfri knapp. Om dörren fortsätter vara öppen efter en minut, ljuder larmet igen. Du måste då upprepa föregående steg för att stänga av det.

ANVÄNDNING OCH FUNKTIONER

Förvara livsmedel i kyl/frys

- Livsmedel ska placeras på tallrikar, i burkar eller packas in i matfolie. Fördela livsmedel jämnt över de undre hyllorna.
- Om livsmedel berör bakväggen kan de frysa eller bli våta.
- Ställ inte in varma maträtter i kylan.
- Livsmedel som lätt tar åt sig smak, som smör, mjölk, mjukost, och livsmedel med starka smaker, som fisk, rökt kött, lägrad hårdost, ska ställas på hyllorna förpackade i matfolie eller i burkar med tättslutande lock.
- Grönsaker som innehåller mycket vatten kommer att orsaka kondens i grönsakslådorna. Detta inverkar inte på kylens korrekta funktion.
- Törka av grönsaker noga innan du ställer dem i kylan.
- För mycket fukt förkortar grönsakernas hållbarhet, i synnerhet för bladgrönsaker.
- Skölj inte grönsakerna innan du ställer dem i kylan. Vattnet sköljer av grönsakernas naturliga skydd. Det är därför bättre att skölja grönsakerna strax innan de ska konsumeras.
- Vi rekommenderar att du fyller livsmedel i fryslådorna 1, 2, 3* upp till deras ordinarie kapacitet (fig. 11a/11b).**

1. Förpackat livsmedel
2. Hylla
3. Ordinarie kapacitet
4. ✖***✖

- Du kan stapla livsmedelsförpackningarna på fryshyllorna.*
- Du kan fylla på livsmedel upp till 20-30 mm utöver den ordinarie kapaciteten.**
- För att öka frysens lastkapacitet och stapla livsmedel på frysens hyllor upp till maxhöjden kan du ta bort låda 1 och 2.*

Frysa livsmedel**

- Du kan i princip frysa all slags livsmedel, utom grönsaker som ska konsumeras råa, till exempel grönsallad.
- Du bör bara frysa in livsmedel av högsta kvalitet. Dessa ska frysas i portionsförpackningar.
- Livsmedlen ska förpackas i material som är luktlösa, luft- och vattentäta och som inte absorberar fett. Fryspåsar av plast, polyetylen och aluminiumfolie är bäst att använda.
- Förpackningen ska vara tät och ligga an kring livsmedlet. Använd inte glasburkar.
- Livsmedel som redan har frysts ska inte komma i närheten av färsk, varm mat i rumstemperatur.
- Vi råder dig att inte ställa in för mycket färsk livsmedel på en gång i frysen per dag (se tabellen med teknisk specifikation).
- För att frysta livsmedel ska bibehålla bästa kvalitet ska du flytta livsmedel som finns i frysens mitt så att de inte kommer i kontakt med livsmedel som ännu inte hunnit frysa.

- Vi rekommenderar att du flyttar redan frysta livsmedel mot en sida, och sätter in de livsmedel som ska frysas på motsatt sida så nära bakväggen som möjligt.
- Använd utrymmet som är märkt med ❄️❄️❄️ för att frysa in livsmedel.
- Tänk på att frysens temperatur påverkas av flera faktorer, inklusive rumstemperaturen och mängden livsmedel i frysen, hur ofta du öppnar dörren, isbildning i frysen och termostatens inställning.
- Vänta 1-2 minuter så att undertrycket försvinner om du inte kan öppna dörren genast efter att du har stängt den och försök igen.

Livsmedlens hållbarhetstid i frysen beror på deras kvalitet innan de fryses och på frysens inställda temperatur. Se listan nedan hur länge du kan förvara olika livsmedel om temperaturen är -18 grader eller lägre:

Livsmedel	Månader
Nötkött	6-8
Kalvkött	3-6
Inälvsmat	1-2
Fläskkött	3-6
Fågel	6-8
Ägg	3-6
Fisk	3-6
Grönsaker	10-12
Frukt	10-12

Förvara inte frysta livsmedel infrysningsfacket. Iskuber kan frysas och förvaras i detta fack.

* Gäller produkter med ett frysfack produktens botten.

** Gäller produkter med ett frysfack ❄️❄️❄️

*** Gäller inte produkter med ett frysfack som är märkt ❄️❄️❄️

ANVÄNDA KYLSKÅPET EFFEKTIVT

Praktiska tips i vardagen

- Ställ inte kylskåp och frysar bredvid värmeelement, värmefläktar, kaminer eller i direkt solljus.
- Säkerställ att ventilationsöppningar inte är stängda och torka ur dammet en eller två gånger om året.
- Välj rätt temperatur: 6 till 8grader i kylan och -18grader i frysen räcker.
- Hög frysens temperatur om du åker på semester.
- Öppna inte kylan och frysen oftare än nödvändigt. Det underlättar om du vet vilka livsmedel som förvaras och var du har ställt dem. Ställ tillbaka överblivna livsmedel i kylan eller frysen så fort som möjligt så att de inte blir för varma.
- Torka regelbundet av kylens insida med en duk fuktad med milt diskmedel. Vitvaror som inte avfrostas automatiskt måste avfrostas regelbundet. Isbildningen får inte vara tjockare än 10 mm.
- Håll gummilisten runt dörren ren, annars kan den inte stängas ordentligt. Byt alltid skadad gummilist.

Förklaring av stjärnorna



Temperaturen är minst -6 grader; räcker för att förvara frusna livsmedel i cirka en vecka. Lådor och fack märkta med en stjärna brukade finnas på (vanligtvis) billigare kylskåp.



Livsmedel kan förvaras i -12 grader eller lägre i 1-2 veckor utan smaksförsämring. Inte lämpligt för infrysning.



Denna märkning används vanligen till förvaring i -18 grader eller lägre. Kan även användas för att frysa in upp till 1 kilo livsmedel.



Vitvaran kan förvara livsmedel i -18 grader eller lägre och frysa in större mängder livsmedel.

Kylskåpets förvaringszoner

Kylskåpet har olika temperaturzoner på grund av naturlig luftcirkulation inuti skåpet.

- Det kallaste området finns direkt ovanför grönsakslådorna. Använd detta område för att förvara ömtåliga livsmedel och livsmedel med kort hållbarhet, tex
 - Fisk, kött, fågel
 - Charkprodukter, färdigrätter
 - Rätter eller bakverk som innehåller ägg och grädde.
 - Färsk deg, kakmix
 - Förpackade grönsaker eller livsmedel vars etikett anger att de ska förvaras i en temperatur på cirka 4 grader.
- Det varmaste området är i dörrens övre del. Använd denna del för att förvara smör och ost.

Livsmedel som inte ska förvaras i kylskåp

- All mat lämpar sig inte för förvaring i kylskåp, i synnerhet:
 - Frukt och grönsaker som är känsliga mot kyla, som bananer, avokado, papaya, passionsfrukt, auberginer, paprikor, tomater och slanggurkor.
 - Omogen frukt
 - Potatis

Var uppmärksam:

Exempel på livsmedelsförvaring – se fig. 12.

AVFROSTNING, RENGÖRING OCH SKÖTSEL

Inga delar av produkten får rengöras med lösningsmedel eller starka, repande rengöringsmedel (t.ex. skurpulver, rengöringskrämer)! Använd bara mildt diskmedel och en mjuk putsduk. Använd inte svampar.

Frosta av kylan***

- Is bildas inuti kylskåpet. Det frostas av automatiskt. Under avfrostningen kan kondensatet, som innehåller smuts, göra att det blir stopp i öppningen. Om det inträffar tar du försiktigt bort smutsen med rengöringstappen (fig. 13).
- Skåpet arbetar i cykler: det kyler då bildas is på bakväggen) och frostar av (vatten rinner ner för bakväggen).
- Avskilj skåpet från strömmen genom att dra ut kontakten ur uttaget eller genom att slå ifrån säkringen innan du rengör det. Se till att vatten inte tränger in i kontrollpanelen eller i lampan.
- Använd inte avfrostningsspray. Den kan orsaka att en explosiv blandning bildas, innehålla lösningsmedel som skadar skåpens plastdelar och till och med vara hälsofarlig.
- Försäkra dig om att tvättvattnet inte rinner in i förångarens behållare genom tömningsöppningen.
- Hela skåpet, utom dörrlisten, ska tvättas av med ett mildt diskmedel. Dörrlisten ska tvättas av med vatten och torkas torr.
- Tvätta av alla tillbehör (grönsakslådor, dörrhyllor, glashyllor o.s.v.).

Frosta av frysen**

- Vi rekommenderar att du frostar av frysen i samband med att du tvättar av den.
- Om det samlas för mycket is i frysen försämras fryskapaciteten och energiförbrukningen stiger.
- Frosta av frysen minst en eller två gånger om året. Om isbildningen är stor måste frysen frostas av oftare.
- Om du har livsmedel i frysen ställer du reglaget i maxläget cirka 4 timmar innan du har täkt frosta av den. Då kan du förvara livsmedlen i rumstemperatur en längre tid.
- Ta ut livsmedlen ur frysen, lägg dem i en lämplig behållare, slå om flera lager papper samt en filt och ställ i ett svalt utrymme.
- Avfrostningen bör ta så kort tid som möjligt. Om livsmedlen står i rumstemperatur en längre tid förkortas deras hållbarhetstid.

Gör så här för att frosta av frysen:**

- Stäng av produkten med kontrollpanelen eller genom att dra ut kontakten.
- Öppna dörren och töm frysen på livsmedel.
- Avhängigt av utförandet drar du ut dräneringsröret i frysens botten och placerar ett lämpligt kärl under röret.
- Lämna dörren öppen, då sker avfrostningen snabbare. Du kan även ställa en kastrull med varmt (inte kokande) vatten inuti frysen.
- Tvätta frysen inuti och torka den torr.
- Sätt på frysen enligt anvisningarna i manualens tillämpliga avsnitt.

Automatisk avfrostning av kylan****

Kylskåpet är utrustat med en automatisk avfrostningsfunktion. Trots detta kan is bildas på kylskåpets bakvägg. Detta händer i allmänhet om för stor mängd livsmedel förvaras i kylan på en gång.

Automatisk avfrostning av frysen****

Frysen är utrustad med en automatisk avfrostningsfunktion. Livsmedlet är fryses av den kalla, cirkulerande luften och fukten i frysen töms ut. Det innebär att ingen is bildas i frysen och att livsmedlen inte fryser fast i varandra.

Tvätta kylan och frysen för hand***

Vi rekommenderar att du tvättar av kylan och frysen inuti minst en gång om året. Det förhindrar att bakterier bildas och dålig lukt uppstår. Stäng av skåpet med knappen (1), töm ut livsmedlet ur skåpen och tvätta av skåpen inuti med vatten och ett mildt diskmedel. Torka sedan torrt med en torkduk.


Ta ut och sätta in hyllor

Dra ut hyllan och skjut sedan in den så långt som möjligt så att dess fäste passar in i skenan (fig. 15).

Ta ut och sätta in dörrhyllan

Lyft dörrhyllan, ta ut den och sätt tillbaka den i rätt läge uppifrån (fig. 16).

Du får under inga förhållanden ställa ett elektriskt element, en värme-fläkt eller en fön i frysen.

- ** Gäller produkter med ett frysack 
- Gäller inte produkter med ett frostfritt system.
- *** Gäller produkter med ett kylfack
- Gäller inte produkter med ett frostfritt system.
- **** Gäller produkter med ett frostfritt system

FELSÖKNING

Problem	Möjliga orsaker	Åtgärd
Skåpet fungerar inte.	Strömtillförseln är avbruten.	<ul style="list-style-type: none"> - Kontrollera att kontakten sitter fast ordentligt i uttaget. - Kontrollera att elsladden inte är skadad. - Kontrollera att det finns spänning i uttaget genom att ansluta en annan kontakt, till exempel till en bordslampa. - Kontrollera att skåpet är tillslaget genom att ställa termostaten i ett läge över 0.
Lampan i skåpet fungerar inte.	Glödlampan sitter löst eller är trasig (endast för skåp med glödlampor).	- Skruva fast lampan eller byt den (se avsnittet "Byta glödlampa i skåpet").
Skåpet arbetar hela tiden.	Reglaget är inte rätt inställt.	- Ställ reglaget i ett lägre läge.
	Se "Temperaturen i skåpet är inte tillräckligt låg" för beskrivning av andra möjliga orsaker.	Se "Temperaturen i skåpet är inte tillräckligt låg" för beskrivning av andra möjliga åtgärder.
Vatten samlas i skåpets lägre del.	Stopp i vattentömning-söppningen (beroende på utförande).	- Rengör öppningen (se användarmanualens kapitel "Frosta av kylan").
	Inre luftcirkulation är blockerad.	- Ställ livsmedel och förvaringsburkar så att de inte berör kylens bakvägg.
Ovanliga ljud från skåpet.	Skåpet står inte korrekt.	- Justera skåpet så det är vågrätt.
	Skåpet berör möbler och/eller andra föremål.	- Ställ skåpet på en plats med tillräckligt fritt utrymme kring det.

Problem	Möjliga orsaker	Åtgärd
Temperaturen i skåpet är inte tillräckligt låg eller för hög.	Reglaget är inte rätt inställt.	- Ställ reglaget i ett högre läge.
	Rumstemperaturen är högre eller lägre än det temperaturområde som anges den tekniska specifikationen.	- Skåpet är konstruerat för att fungera inom det temperaturområde som anges den tekniska specifikationen.
	Skåpet står i solljus eller nära värmekällor.	- Flytta skåpet till ett svalare ställe. Följ anvisningarna i manualen.
	För stor mängd varma livsmedel har satts in på en gång.	- Vänta 72 timmar tills livsmedlen är kalla (fryser) och den önskvärda temperaturen i frysen har uppnåtts.
	Inre luftcirkulation är blockerad.	- Ställ livsmedel och förvaringsburkar så att de inte berör kylens bakvägg.
	Luftcirkulationen bakom skåpet är blockerad.	- Flytta skåpet minst 30 mm från väggen.
	Kyl/frysens dörr öppnas för ofta och/eller lämnas öppen för länge.	- Öppna inte dörren så ofta och/eller förkorta tiden då den är öppen.
	Dörren kan inte stängas helt.	- Ställ livsmedel och förvaringsburkar på så sätt att de inte hindrar att dörrens stängs.
	Kompressorn sätter igång för sällan.	- Kontrollera om rumstemperaturen är lägre än klimatklassen.
Dörrlisten är felaktigt insatt.	- Tryck in dörrlisten.	

Kylen avger vissa ljud under normal användning. Dessa inverkar inte på skåpets korrekta funktioner.

Ljus som lätt kan förhindras:

- Ljud beroende på att skåpet inte står vågrätt - rätta till läget med de justerbara fötterna framtill. Alternativt kan du lägga en stoppning av något mjukt material under bakhjulen, i synnerhet om skåpet står på klinkers.
- Skåpet berör intillstående möbler - flytta kylskåpet en liten bit bort.
- Lådor eller hyllor knakar - ta ut och sätt tillbaka lådan eller hyllan.
- Klirrande ljud från flaskor - öka avståndet mellan flaskorna.

De ljud som hörs under normal användning orsakas i huvudsak av termostatens, kompressorns (sätter igång) och kylsystemets (termisk expansion och sammandragning av kylaren p.g.a. köldmedlets flöde) funktioner.

Kjære kunde!

Apparatet er utrolig enkelt å bruke og ekstremt effektivt. Før pakking og forsendelse fra produsenten, ble apparatet nøye kontrollert med tanke på sikkerhet og funksjonalitet.

Før apparatet tas i bruk, må du lese denne bruksanvisningen nøy

GRAM

RETNINGSLINJER FOR TRYGG BRUK

- Ikke oppbevar eksplosive stoffer, som for eksempel aerosolbokser med brannfarlig drivstoff, i dette apparatet.
- Dette apparatet er ment for bruk i husholdninger og lignende omgivelser, som for eksempel:
 1. Kjøkken på arbeidsplasser i butikker, kontorer og andre yrkesmiljøer
 2. Gårdshus, hoteller, moteller og andre boliger
 3. Bed and breakfast-virksomhet
 4. Catering og lignende ikke-kommersiell bruk
- Produsenten forbeholder seg retten til å innføre endringer som ikke påvirker bruken av apparatet.
- Enkelte bestemmelser i denne bruksanvisningen er felles for kjøleapparater av ulike typer (kjøleskap, kombiskap, fryseskap eller fryseboks)
- Produsenten skal ikke holdes ansvarlig for skade som følge av manglende overholdelse av instruksjonene i denne bruksanvisningen.
- Oppbevar denne bruksanvisningen for fremtidig bruk eller å gi den til neste bruker.
- Dette apparatet er ikke beregnet for bruk av personer (inkludert barn) med begrensede fysiske eller mentale evner eller personer som mangler erfaring eller kjennskap til apparatet.
- Ikke la små barn bruk apparatet. Ikke la dem leke med apparatet. De må ikke klatre i skuffene eller svinge døren.
- Apparatet fungerer på riktig måte i omgivelsestemperatur (se typeskilt). Ikke bruk apparatet i kjeller eller i uoppvarmet hytte om høsten og vinteren.
- Ikke hold i dørhåndtaket, ikke trekk i kondensatoren bak på kjøleskapet og ikke rør ikke kompressorenheten når du beveger, flytter eller løfter apparatet.
- Ved transport flytting eller bevegning av kombi-

skapet, må det ikke vippes mer enn 40 ° fra den vertikale stillingen. Dersom det skulle oppstå en slik situasjon, må apparatet slås på etter minimum to timer etter flytting i riktig posisjon (fig. 2).

- Trekk støpselet ut av kontakten før det gjennomføres vedlikehold. Trekk i støpselet, ikke i kablelen.
- Den "knakende" lyden som apparatet kan avgi kommer av utvidelse og sammentrekning av deler som skyldes temperaturvariasjoner.
- Av sikkerhetsgrunner må du ikke prøve å reparere apparatet selv. Reparasjoner utført av personer som ikke har de nødvendige kvalifikasjoner kan føre til alvorlig fare for den som bruker apparatet.
- Luft i rommet hvor apparatet skal stå i et par minutter (størrelsen på plassen til et produkt som inneholder isobutan/R600a må være minst 4 m³) for å unngå skade på kjølesystemet.
- Ikke frys delvis tinte produkter på nytt.
- Ikke oppbevar drikke i flasker og bokser i fryseren; det gjelder spesielt for kullsyreholdig drikke. Boksene og flaskene kan eksplodere.
- Ikke legg frosne produkter (is, isbiter, osv.) som tas rett ut av fryseboksen i munnen; den lave temperaturen kan forårsake frostbitt.
- Pass på at du ikke skader kjølesystemet ved å punktere kjølemedierørene i fordampere eller brette rørene. Kjølemiddelet er brannfarlig. Dersom kjølemiddelet kommer i kontakt med øynene dine, må du skylle godt med rent vann og ringe lege umiddelbart.
- Hvis strømledningen er skadet, må den byttes av produsenten, en servicerepresentant eller en tilsvarende kvalifisert person for å unngå fare.
- Dette apparatet er kun beregnet på oppbevaring av mat.
- Når du utfører aktiviteter som rengjøring og ved-

likehold eller flytter apparatet, må du først tekke ut støpselet fra kontakten

- Dette apparatet kan brukes av barn i alderen 8 år og eldre eller personer med fysiske, psykiske eller sensoriske handikap eller av personer som er uerfarne eller ukjente med apparatet, forutsatt av at de overvåkes eller har fått beskjed om hvordan de trygt kan bruke apparatet og forstår den risikoen som er forbundet med bruk av apparatet. Sørg for at barn ikke leker med apparatet. Rengjøring og vedlikehold av apparatet bør ikke utføres av barn med mindre de er 8 år eller eldre og er under tilsyn av en kompetent person.
- ADVARSEL: Ikke bruk mekaniske innretninger eller andre midler til å fremskynde tineprosessen, med mindre de er anbefalt av produsenten.
- ADVARSEL: Ikke bruk elektriske apparater inne i apparatets matoppbevaringsrom, med mindre de er av en type som er anbefalt av produsenten.
- Dersom stikkkontakten ikke passer til kjøleskapets støpsel, må den byttes av produsenten, en servicerepresentant eller en tilsvarende kvalifisert person for å unngå fare.
- For å få mer plass i fryseren, må du ta ut skuffene og legge maten direkte på hyllene. Dette har ingen effekt på produktets mekaniske egenskaper og kjøleevne. Angitt frysekapasitet er angitt uten skuffer.
- ADVARSEL: Ikke skad kjølemiddelkretsen.
- Dette apparatet er ikke beregnet på bruk i høyder over 2000 meter.







ADVARSEL: Fare for brann / brannfarlig materiale

- Barn i alderen 3 til 8 år bør ikke sette inn eller ta ut produkter i kjøleskap.

- ADVARSEL: Når apparatet skal plasseres, må du sørge for at strømledningen ikke sitter i klem eller blir skadet.

For å unngå at maten blir dårlig, bør du følge følgende instruksjoner:

- Det å åpne døren i lengre perioder kan føre til en betydelig økning i temperaturen inni apparatet.
- Rengjør overflater som kan komme i kontakt med mat samt tilgjengelige dreneringssystemer jevnlig.
- Oppbevar rått kjøtt og fisk i egnede beholdere i kjøleskapet, slik at det ikke kommer i kontakt med eller drypper på annen mat.
- Tostjerners fryseskuffer er egnet til oppbevaring av frossen mat og lagring eller fremstilling av is og isbiter.
- En-, to- og trestjerners fryseskuffer er ikke egnet til frysing av ferske matvarer
- ADVARSEL: Ikke bruk elektriske apparater inne i apparatets matoppbevaringsrom, med mindre de er av en type som er anbefalt av produsenten.

	Oppbevaringsrom TYPE	Lagringstemp. [°C]	Egnede matvarer
1	Kjøleskap	+2≤+8	Egg, kokt/stekt mat, innpakket mat, frukt og grønnsaker, meieriprodukter, kaker, drikkevarer og andre matvarer er ikke egnet til frysing.
2	Fryser 	≤-18	Sjømat (fisk, reker, skalldyr), ferskvannsprodukter og kjøttprodukter (anbefalt i inntil 3 måneder, jo lenger lagringstid, desto mer redusert smak og næringsinnhold), egnet til frossen fersk mat.
3	Fryser 	≤-18	Sjømat (fisk, reker, skalldyr), ferskvannsprodukter og kjøttprodukter (anbefalt i inntil 3 måneder, jo lenger lagringstid, desto mer redusert smak og næringsinnhold), er ikke egnet til frossen fersk mat.
4	Fryser 	≤-12	Sjømat (fisk, reker, skalldyr), ferskvannsprodukter og kjøttprodukter (anbefalt i inntil 2 måneder, jo lenger lagringstid, desto mer redusert smak og næringsinnhold), er ikke egnet til frossen fersk mat.
5	Fryser 	≤-6	Sjømat (fisk, reker, skalldyr), ferskvannsprodukter og kjøttprodukter (anbefalt i inntil 1 måneder, jo lenger lagringstid, desto mer redusert smak og næringsinnhold), er ikke egnet til frossen fersk mat.

6	0-stjerne fryseskuff	$-6 \leq 0$	Ferskt svinekjøtt, storfekjøtt, fisk, kylling, enkelte innpakke­de bearbejdede produkter osv. (Bør spises samme dag, og ikke lenger frem i tid enn 3 dager). Delvis innkapslede bearbejdede matvarer (matvarer som ikke skal fryses)
7	Kjøøl	$2 \leq +3$	Ferskt/frosset svinekjøtt, storfekjøtt, kylling, ferskvanns produkter mv. (7 dager under 0°C og over 0°C anbefales for produkter som skal spises samme dag eller ikke lenger frem i tid enn 2 dager). Sjømat (mindre enn 0 i 15 dager, bør ikke lagres over 0 °C)
8	Fersk mat	$0 \leq +4$	Ferskt svinekjøtt, storfekjøtt, fisk, kylling, tilberedt mat, osv. (Bør spises samme dag, og ikke lenger enn 3 dager frem i tid)
9	Vin	$+5 \leq +20$	rødvin, hvitvin, musserende vin osv.

- Merk: Ulike matvarer bør lagres i henhold til de ulike skuffene eller lagringstemperaturene for å sikre best mulig oppbevaring.
- Hvis kjøleapparatet står tomt i en lengre periode, må du slå det av, avise, rengjøre, tørke og la døren stå åpen for å forhindre muggdannelse.
- Rengjøring av vanddispenser (spesielt for produkter med vanddispenser): Rengjør vanntankene hvis de ikke har blitt brukt de siste 48 timene, og spyl vannsystemet hvis det ikke har blitt tappet vann de siste fem dagene.
- I henhold til kommisjonsforordning (EU) 2019/2019 er minimum tilgjengelighetsperioden for reservedeler som er nødvendig for å reparere apparatet 7 eller 10 år, avhengig av type og formål for reservedelen.
- Listen over reservedeler og bestillingsprosedyrer er tilgjengelig på nettsiden til produsenten, importøren eller en autorisert representant.
- For ytterligere informasjon om produktet, se EUs EPEL produkt­database på <https://eprel.ec.europa.eu>. For ytterligere informasjon, kan du bruke mobilen din til å skanne QR-koden på energimerket eller angi produktmodellen som står på energimerket i EPRELS søkemotor <https://eprel.ec.europa.eu/>

INSTALLERING OG BRUK AV APPARATET

Dette kjøleskapet er ikke beregnet på innbygging.

Installasjon før apparatet brukes for første gang

- Ta produktet ut av emballasjen, fjern tapen som beskytter døren og utstyret. Eventuelle teiprester kan fjernes med et mildt vaskemiddel.
- Ikke kast isopporen som utgjør en del av emballasjen. Dersom det blir nødvendig å transportere kombiskapet, skal det pakkes inn i isopor og folie som festes med teip.
- Rengjør kombiskapet og alle delene inni med lunkent såpevann før du tørker det tørt.
- Plasser kombiskapet på et jevnt, flatt og stabilt underlag på et tørt, luftig og skyggefullt sted og ikke i nærheten av varmekilder som: komfyr, stekeovn, radiator, varmerør, varmtvannstank, osv.
- Utenpå apparatet kan det sitte en beskyttelsesfolie, og denne folien skal fjernes.
- Sørg for at apparatet står i horisontal posisjon ved å skru på de to justerbare beina (fig. 3)
- For å sikre at døren kan åpnes helt, bør avstanden mellom siden av apparatet (på den hengslede siden) og veggen være som vist på figur 5.*
- Sørg for tilstrekkelig ventilasjon i rommet og fri luftsirkulasjon på alle sider (fig. 6).*

Minimumsavstander fra varmekilder

- - fra elektriske gassovner og andre ovner – 30 mm,
- - olje- eller kullfjerner – 300 mm,
- - for innebygde ovner – 50 mm

Det er ikke mulig at avstandene som er angitt over gir riktig isolasjon.

Advarsel:

- Baksiden av kjøleskapet, spesielt kondensatoren og andre elementer i kjølesystemet, må ikke komme i kontakt med andre elementer som kan skade dem (f.eks. varme- eller vannrør).
- Det er forbudt å justere eller endre noen deler av apparatet. Det er viktig ikke å skade kapillarrøret som er synlig i kompressorens utsparring. Røret må ikke bøyes, rettes ut eller skades.
- Dersom kapillarrøret skades av bruker, vil skaden ikke dekkes av garantien (fig. 8).
- På noen apparater er håndtaket innfelt. Du kan skru det på med en vanlig skrutrekker.
- Ikke skad kjølemiddelkretsen.

Nettilkobling

For å ivareta din sikkerhet og redusere risikoen for skade eller elektrisk støt, må du følge alle forholdsreglene som er oppført nedenfor.

- Før tilkobling anbefales det å stille kontrollknappen på «OFF» eller en annen posisjon som kobler apparatet fra strømmen (Se side med

- beskrivelse av kontrollknappen).
- Før tilkobling anbefales det å stille kontrollknappen på «OFF» eller en annen posisjon som kobler apparatet fra strømmen (Se side med beskrivelse av kontrollknappen).
- Dette apparatet skal kobles til en stikkontakt med 220-240 V AC 50Hz. Stikkontakten må være festet godt og må være utstyrt med jordingsledning og en 10A sikring.
- Det er et juridisk krav at apparatet skal være jordet. Produsenten kan ikke holdes ansvarlig for eventuelle skader som skyldes manglende jording.
- Ikke bruk skjøteledninger, adaptere eller lignende. Dersom det er nødvendig å bruke skjøteledning, må den være utstyrt med en beskyttelsesring og en enkelt kontakt samt ha VDE/GS-sikkerhets sertifikat.
- Dersom det brukes skjøteledning (med beskyttelsesring og sikkerhets sertifikat), må kontakten være plassert i trygg avstand fra vaske og ikke på et sted der den kan bli oversvømmet av vann eller avløpsvann.
- Se typeplaten på den nedre delen av den indre veggen av apparatet for detaljerte spesifikasjoner**.
- Sørg for at støpselet er lett tilgjengelig, slik at det kan kobles fra strømmettet.

Koble fra strømforsyningen

Sørg for at apparatet lett kan kobles fra strømuttaket, enten ved å trekke ut ledningen fra veggkontakten, eller ved å slå av den topolede bryteren (fig. 9)..

Klimaområde

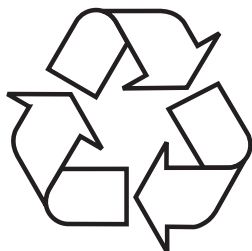
Informasjonen om klimaområdet til apparatet angis på typeplaten. Det angir hvilken omgivelsestemperatur (dvs. romtemperatur som apparatet kan brukes i) som er optimal (riktig).

Klimaklasse		Tillatt omgivelsestemperatur
SN	Utvidet temperatur	Dette kjøleskapet er beregnet på bruk ved en omgivelsestemperatur mellom 10°C og 32°C.
N	Temperatur	Dette kjøleskapet er beregnet på bruk ved en omgivelsestemperatur mellom 16°C og 32°C.
ST	Subtropisk	Dette kjøleskapet er beregnet på bruk ved en omgivelsestemperatur mellom 16°C og 38°C.
T	Tropisk	Dette kjøleskapet er beregnet på bruk ved en omgivelsestemperatur mellom 16°C og 43°C.

* Kun frittstående apparater

** I henhold til modell

UTPAKKING



Under transport er produktet emballert mot eventuelle skader. Etter utpakkingen må du ayhende alle emballasjeelementer på en måte som ikke skader miljøet.

Alle apparatets emballasjematerialer er miljøvennlige, 100 % resirkulerbare og merket med relevant symbol.

Viktig! Emballasje (poser, polyetylen, isopor, osv.) bør holdes unna barn under utpakking.

AVHENDING AV GAMMELT APPARAT



I samsvar med EU-direktiv 2012/19/EF. Merkingen betyr at apparatet ikke må kastes sammen med annet husholdningsavfall etter at det har blitt brukt.

Brukeren er forpliktet til å overlate det til innsamlingscenteret som samler inn brukte elektriske og elektroniske varer.

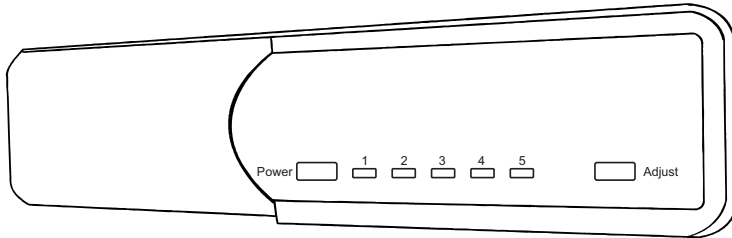
Innsamlingsssentrene, inkludert lokale innsamlingspunkter, butikker og kommunale avdelinger, utarbeider returordninger.

Riktig håndtering av brukte elektriske og elektroniske varer bidrar til å unngå miljø- og helsefarer som følge av farlige komponenter og upassende lagring og behandling av varene.

KONTROLLER

Apparatets innstillinger

Kontrollpanelet vises i figur 10. For referanse vises det også nedenfor:



Juster temperaturen inni apparatet

1. Trykk på **Juster** for å justere temperaturen inne i rommet. Velg innstillingen fra 1 til 5. 1 – den høyeste temperaturen; 5 – den laveste temperaturen.
2. Trykk og hold inne **av/på-knappen** i 3 sekunder for å slå av apparatet. Knappen lyser og strømmen er frakoblet. Belysningen inne i kjøleskapsrommet og kompressoren slås av. Trykk og hold inne knappen i 3 sekunder for å slå på apparatet igjen. Indikatoren lyser når strømmen er på.

Ytterligere informasjon om temperaturen

- Temperaturen inne i apparatet påvirkes av mange faktorer. Hvordan du stiller inn temperaturkontrollhjulet avhenger av faktorer som omgivelsestemperatur, solesponering, hvor ofte du åpner døren, og mengden mat som er oppbevart. Midtstillingen av skiven er mest optimal i de fleste tilfeller.
- Ikke legg mat i kombiskapet før det har nådd riktig driftstemperatur, noe som tar minimum fire timer.
- Du må ikke endre temperaturinnstillingene i forhold til ulike årstider. En økning i omgivelsestemperaturen vil bli registrert, og kompressoren slås automatisk på for en lengre periode for å opprettholde temperaturen inne i apparatet.
- Mindre temperaturforskjeller er helt normalt og kan forekomme, f.eks. ved lagring av større kvanta med ferske produkter i kjøleskapet eller dersom døren står åpen over lengre tid. Dette vil ikke påvirke tilstanden til de lagrede matvarene, og temperaturen vil raskt reguleres til innstilt verdi.

Døralarm*

Når døren er åpen i 1 minutt, utløses døralarmen. Du kan lukke døren for å slå av alarmen, eller trykke på en hvilken som helst knapp for å slå av alarmen. Hvis døren fortsatt åpnes etter 1 minutt, må du gjenta handlingene ovenfor.

DRIFT OG FUNKSJONER

Lagring av mat i kombiskapet

- Maten bør plasseres på tallerkener, i beholdere eller pakkes inn. Fordel den jevnt på hyllene.
- Dersom maten kommer i kontakt med bakveggen, kan den fryse eller bli våt.
- Ikke legg varm mat i kjøleskapet.
- Produkter som lett absorberer smak, som smør, melk, hvit ost og produkter med sterk smak, som fisk, røkt kjøtt og hard ost, må legges på hyller, pakkes godt inn eller oppbevares i lukkede beholdere.
- Oppbevaring av grønnskaper som inneholder mye vann kan forårsake økt kondens i grønnsaksbeholderne, men det påvirker ikke funksjonen til kjøleskapet.
- Tørk godt av grønnsakene før du legger dem i kjøleskapet.
- Overdreven fuktighet forkorter holdbarheten til grønnsaker, spesielt bladgrønnsaker.
- Ikke vask grønnsakene før oppbevaring i kjøleskap. Vasking fjerner naturlig beskyttelse, og derfor er det bedre å vaske grønnsaker rett før bruk.
- Det anbefales å legge produktene i fryseskuffene 1, 2, 3* inntil naturlig lagringskapasitet (Fig. 11a / 11b).**
 1. Pakkede produkter
 2. Hylle
 3. Naturlig lagringskapasitet
 4. ❄️***
- Stabling av produkter på frysehyllene er akseptabelt.*
- Det er akseptabelt å plassere produkter utover den naturlige lastekapasitet med 20-30 mm. **
- For å øke kapasiteten i frysedelen og stable produkter på trådhyllene i maksimal høyde, kan skuff 1 og 2 fjernes*

Fryse mat**

- Nesten alle matvarer kan fryses, bortsett fra grønnsaker som skal spises så, slik som salat.
- Kun matvarer av høy kvalitet, og delt i mindre porsjoner, bør fryses.
- Matvarene bør pakkes i emballasje som er uten lukt og fett og er motstandsdyktig mot luft og fuktighet. De beste innpakkingsmateriale er plastpøser, polyetylen- og aluminiumsfolie.
- Emballasjen må være tett og sitt tett rundt maten. Ikke bruk glassbeholdere.
- Hold ferske og varme matvarer som holder romtemperatur unna matvarer som allerede har vært frosne.
- Vi anbefaler at du ikke legger for mange friske matvarer i fryseren samtidig (se tabell med tekniske spesifikasjoner).
- For å opprettholde optimal kvalitet på den frosne maten, bør matvarene i fryseren plasseres midt i fryseren, slik at de ikke kommer i kontakt med produkter som enda ikke er frosne.
- Det anbefales at du flytter allerede frosne produkter til en side og

plasserer den ferske maten på den andre siden – så nær bak- og sideveggene som mulig.

- Til fryseprodukter, bruk plass merket **(✳️***)**.
- Husk at temperaturen i fryseren påvirkes av ulike faktorer, inklusiv omgivelsestemperatur og mengde matvarer, antall ganger døren åpnes, mengde is i fryseren og termostatinnstillingen.
- Dersom du ikke kan åpne døren umiddelbart etter at du har lukket den, vent 12 minutter for å kompensere det negative trykket før du prøver å åpne døra igjen.

Lagringstiden for frosne produkter avhenger av kvaliteten før frysing samt oppbevaringstemperaturen. Følgende lagringstider anbefales dersom temperaturen ligger på -18 °C eller lavere:

Produkter	Måneder
Storfe	6-8
Kalv	3-6
Innmat	1-2
Svin	3-6
Fjærkre	6-8
Egg	3-6
Fisk	3-6
Grønnsaker	10-12
Frukt	10-12

Ikke oppbevar frossen mat i hurtigkjølingsdelen. Isbiter kan lages og oppbevares i denne delen.

Merk: Hvis kjøleskapet ikke har en fryseboks (**(✳️***)**), er det ikke egnet til å fryse matvarer.

* Gjelder apparater med frysedel nederst,

** Gjelder for apparater med frysedel **(✳️***)**

*** Gjelder ikke for apparater med frysedel markert **(✳️***)**

BRUK KJØLESKAPET EFFEKTIVT

Praktiske hverdagstips

- Ikke plasser kjøleskap og fryserer i nærheten av radiatorer, varmeovner eller komfyrer eller i direkte sollys.
- Kontroller at ventilene ikke er dekket til, og rengjør dem for støv en til to ganger per år.
- Velg riktig temperatur: 6 til 8°C i kjøleskapet og -18°C i fryseren er nok.
- Når du er på ferie, bør du skru opp temperaturen i kjøleskapet.
- Kjøleskap og fryser skal kun åpnes ved behov. Det hjelper dersom du vet hva slags mat det er i beholderne samt hvor de befinner seg. Legg maten tilbake i kjøleskapet eller fryseren så snart du har brukt det du trenger, slik at den blir oppvarmet minst mulig.
- Vask kjøleskapet innvendig med jevne mellomrom med vann og mild såpe. Apparater som ikke har automatisk avising må avises regelmessig. Ikke la islaget bli tykkere enn 10 mm.
- Hold tetningen rundt døren ren, ellers vil den ikke lukke ordentlig. Skift alltid ut en ødelagt tetning.

Forstå stjernene



Temperaturen er minst 6 °C; nok til å oppbevare frosne mat i rundt en uke. Skuffer eller avdelinger som er merket med en stjerne var tidligere (som regel) et symbol på billige kjøleskap.



Mat kan lagres ved -12 °C eller lavere i 12 uker uten at det påvirker smaken. Ikke egnet til frysing av mat.



Brukes hovedsakelig til lagring av mat ved -18 °C eller lavere. Kan også brukes til å fryse inntil 1 kilo fersk mat.



Dette apparatet er egnet til lagring av mat ved -18 °C eller lavere og kan fryse større kvanta med fersk mat.

Praktiske tips

Som følge av naturlig luftsirkulasjon i apparatet, er det ulike temperatursoner i kjøleskapet.

- Det kaldeste området er rett over grønnsaksskuffene. Bruk dette området til alle lett bedervelige matvarer, f.eks.
 - Fisk, kjøtt, fjærkre
 - Pølseprodukter, ferdigretter
 - Retter eller bakervarer som inneholder egg eller fløte
 - Fersk deig, kakeblandinger
 - Ferdigblandede grønnsaker eller annen ferdigmat med merking som angir det bør oppbevares ved en temperatur på rundt 4°C.
- Det varmeste området er øverst i døren. Her kan du oppbevare smør og ost.

Mat som ikke skal oppbevares i kjøleskap

- Ikke all mat skal oppbevares i kjøleskap, og dette gjelder særlig:
 - Frukt og grønnsaker som er sensitive overfor kulde, slik som bananer, avokado, papaya, pasjonsfrukt, auberginer, paprika, tomater og agurk.
 - Umoden frukt
 - Poteter

Advarsel:

Eksempel på oppbevaring av mat – se figur 12.

For å oppnå den mest effektive oppbevaringen av mat over lengst mulig tid, og for å unngå å kaste mat, plasser produktene som vist i figur 12. I tillegg viser denne figuren utforming av skuffer, kurver og hyller, noe som legger til rette for en mest mulig effektiv bruk av energi.

Optimal temperatur og lagringsforhold utvider produktenes holdbarhet og reduserer energiforbruket. Du finner optimal lagringstemperatur på produktemballasjen.

AVISING, RENGJØRING OG VEDLIKEHOLD

Rengjør aldri plastdeler ved hjelp av løsningsmidler eller sterke skuremidler (for eksempel vaskepulver eller -kremer)! Bruk kun mild såpe og ren klut. Ikke bruk svamp.

Utvendige overflater av plast bør rengjøres med en mikrofiberklut, ellers vil det oppstå irreversible mikroriper.

Avising av kjøleskapet***

- Det dannes rim på bakveggen i kjøleskapet. Den fjernes automatisk. Under avising kan kondensen som inneholder forurensede stoffer tette åpningen. Dersom det skulle skje, kan du forsiktig fjerne smusset ved hjelp av en renseplugg/metaltråd (fig. 13).
- Apparatet opererer i sykluser: det kjøler (da dannes det rim på bakveggen) og aviser (vann renner ned på bakveggen).
- Koble apparatet fra strømmettet før rengjøring ved å trekke støpselet ut av kontakten eller koble ut sikringen. Unngå at vann trenger inn i kontrollpanelet eller lyset.
- Ikke bruk aerosoler ved avising. De kan føre til dannelse av en eksplosiv blanding eller inneholde løsningsmidler som kan skade plastkomponenter i apparatet og også være skadelig for helsen.
- Sørg for at vannet som brukes til rensing ikke renner inn i fordampningsbeholderen gjennom utløpsåpningen.
- Høle apparatet, bortsett fra dørtetningen skal rengjøres med mildt såpevann. Tetningen skal vaskes med vann og tørkes.
- Vask alt tilbehøret (grønnsaksskuffer, dørhyller, glasshyller, osv.).
- **ADVARSEL:** Ikke bruk mekaniske innretninger eller andre midler til å fremskynde tineprosessen, med mindre de er anbefalt av produsenten.

Avise fryseren**

- Det anbefales å avise apparatet samtidig som det rengjøres.
- For mye is reduserer apparatets fryseevne og øker energiforbruket.
- Apparatet bør avises minst en eller to ganger per år. Dersom det danner seg mer is, må du avise oftere.
- Dersom det er mat i fryseren, bør du stille knappen på maks i rundt fire timer før planlagt avising. Dette vil gjøre at maten kan oppbevares i romtemperatur i lengre tid.
- Etter at du har tatt mat ut av fryseren, legger du den i en beholder og pakker den inn i flere lag med papir før du dekker den med et teppe og oppbevarer den på et kjølig sted.
- Avisingen bør være så kort som mulig. Mat som oppbevares lenge i romtemperatur har kortere holdbarhet.

Følg disse trinnene for å tine frysedelen:**

- Skru av apparatet ved hjelp av kontrollpanelet, og trekk støpselet ut av kontakten.
- Åpne døren og ta maten ut av fryseren.
- Avhengig av modell, trekker du ut avløpsslangen som befinner seg i bunnen av fryseren og plasser et passende kar under.
- La døren stå åpen; dette vil påskynde prosessen. I tillegg kan du sette en bolle med varmt vann (ikke kokende) inni fryseren.
- Vask innsiden av fryseren og tørk den godt.
- Skru på apparatet i henhold til det relevante punktet i bruksanvisningen.

Automatisk avising av kjøleskap****

Kjøleskapet avises automatisk. Likevel kan det dannes rim på bakveggen i kjøleskapet. Dette skjer vanligvis dersom det lagres store mengder fersk mat i kjøleskapet.

Automatisk avising****

Fryseren avises automatisk. Maten fryses i den avkjølte sirkulasjonsluften, og fuktigheten fra fryserommet ledes ut. Dermed dannes det ikke is eller rim i fryseren, og produktene fryser ikke sammen.

Kjøleskap og fryser må vaskes manuelt****

Det anbefales å vaske kjøleskap og fryser minst en gang i året. Dette hindrer bakteriedannelse og vondt lukt. Skru av apparatet ved å bruke knapp (1), ta ut matvarene og vask med mildt såpevann. Tørk deretter med en tørr klut.


Ta ut hyllene og sett dem inn *****

Skyv hyllen ut, og skyv den deretter inn så mye som mulig slik at klemmen kan festes i hakket (fig. 15).

Ta ut og sett inn dørhyllen *****

Løft dørhyllen, fjern den og sett den tilbake ovenfra og inn i ønsket posisjon (fig. 16).

ADVARSEL! Du må aldri sette et varmeapparat, vifte eller hårtørker i fryseren.

- ** Gjelder for apparater med frysedel ****
- Ikke aktuelt for apparater med frostoffritt system.
- *** Gjelder apparater med kjøleskapsdel
- Ikke aktuelt for apparater med frostoffritt system.
- **** Gjelder apparater med automatisk avising.
- ***** Gjelder ikke fryserne

FEILSØK

Problem	Mulig årsak	Løsning
Apparatet virker ikke	Elektrisiteten er brutt	<ul style="list-style-type: none"> - kontroller om støpselet sitter godt i kontakten - kontroller om strømkabelen er skadet - kontroller om det er strøm i kontakten ved å koble til et annet apparat, f.eks. en lampe - kontroller om apparatet er skrudd på ved å sette termostaten på en innstilling over 0
Det innvendige lyset virker ikke	Lyspæren er løs eller slukket (gjelder kun apparater med lyspære)	- skru lyspæren ordentlig i eller skift den ut (se over «Skifte lyspære»)
Apparatet arbeider kontinuerlig	Feil innstilling på justeringsknappen	- velg et lavere tall
	Se. «Den innvendige temperaturen i apparatet er ikke lav nok for beskrivelse av andre mulige årsaker	Se. «Den innvendige temperaturen i apparatet er ikke lav nok for beskrivelse av andre mulige løsninger
Det samler seg vann nede i apparatet	Vannutløpsåpning er tett (avhengig av modell)	- Rengjør vannutløpsåpningen (se bruksanvisningen – «Avising av kjøleskapet»)
	Den interne luftsirkulasjonen blokkeres	- plasser mat og beholdere på en slik måte at de ikke kommer i kontakt med bakveggen i kjøleskapet
Apparatet genererer en unaturlig lyd	Apparatet står ikke i vater	- sørg for at apparatet står rett
	Apparatet er i berøring med møbler og/eller andre objekter	- plasser apparatet slik at det står fritt

Problem	Mulig årsak	Løsning
Temperaturen i apparatet er for lav eller for høy	Feil innstilling på justeringsknappen	- velg et høyre tall
	Omgivelsestemperaturen er høyere eller lavere enn klimaområde fra tabellen med tekniske spesifikasjoner	- apparatet er tilpasset drift i klimaområde fra tabellen med tekniske spesifikasjoner.
	Apparatet befinner seg i sollys eller nær en varmekilde	- flytt apparatet til et annet sted. Les retningslinjene i bruksanvisningen
	For mye varm mat lagt inn på en gang	- vent 72 timer til maten er kald (frossen) og den nødvendige temperaturen er nådd i fryseren
	Intern luftsirkulasjon blokkert	- plasser mat og beholdere på en slik måte at de ikke kommer i kontakt med bakveggen i kjøleskapet
	Luftsirkulasjonen bak i kjøleskapet er blokkert	- flytt apparatet min. 30 mm bort fra veggen
	Døren til kjøleskapet/fryseren har blitt åpnet for ofte og/eller holdes åpen for lenge	- reduser antall ganger du åpner døren og/eller reduser tiden du holder døren oppe
	Døren lukker ikke slik den skal	- plasser mat og beholdere slik at de ikke ligger i veien for døren som skal lukkes
	Kompressoren slår seg ikke på ofte nok	- kontroller om omgivelsestemperaturen er lavere enn klimaklassen
Det er en feil med tetningen i døren	- trykk tetningen på plass	

Enkelte lyder kan høres under normal bruk av apparatet, men dette påvirker ikke korrekt drift.

Lyder som enkelt kan forebygges:

- lyd som skyldes av apparatet ikke står i vater – juster bena på undersiden. Alternativt kan du legge et mykt materiale under bakhjulene, spesielt dersom apparatet står på fliser.
- berører tilstøtende møbler – flytt på kjøleskapet slik at det står fritt.
- knirking i skuffer eller hyller - ta ut og sette tilbake skuff eller hylle.
- lyd av flasker som skumper borti hverandre – flytt flaskene fra hverandre.

Lyd som høres under normal bruk skyldes vanligvis drift av termostaten, kompressoren (som slår seg på) og kjølesystemet (termisk ekspansjon og sammentrekning av radiatoren på grunn av flyten av kjølemiddel).

Hyvä asiakas!

Laitteesi on poikkeuksellisen helppo käyttää ja hyvin tehokas. Valmistaja on testannut laitteen turvallisuuden ja toiminnan perusteellisesti ennen sen pakkaamista ja lähettämistä.

Lue nämä käyttöohjeet huolellisesti ennen laitteen käyttöä.

GRAM

TURVALLISTA

KÄYTTÖÄ

KOSKEVIA OHJEITA

- Älä säilytä tässä laitteessa räjähtäviä aineita, kuten syttyvää ponneainetta sisältäviä aerosolipulloja.
- Tämä laite on tarkoitettu talouskäyttöön ja muuhun vastaavaan käyttöön, kuten:
 1. Myymälöiden, toimistojen ja muiden työympäristöjen henkilöstön keittiöalueille
 2. Hotellien, motellien ja muiden asumistyyppisten ympäristöjen asiakkaille
 3. – bed and breakfast -tyyppiin tiloihin.
 4. Pitopalvelu- ja muihin vastaaviin ei-kaupallisiin sovelluksiin
- Valmistaja varaa itselleen oikeuden tehdä muutoksia, jotka eivät vaikuta laitteen käyttöön.
- Jotkin tämän käyttöoppaan säännöt ovat yhteiset erityyppisille jäähdystuotteille (jääkaappi, jääkaappi-pakastin tai pakastin).
- Valmistaja ei vastaa vahingosta, joka seuraa tämän käyttöoppaan ohjeiden noudattamatta jättämisestä.
- Säilytä tämä käyttöopas myöhempää käyttöä varten tai seuraavalle käyttäjälle annettavaksi.
- Tätä laitetta ei ole tarkoitettu sellaisten henkilöiden käyttöön, joiden fyysiset tai henkiset kyvyt ovat rajalliset (lapset mukaan lukien) tai joilla ei ole kokemusta laitteesta tai jotka eivät tunne sitä.
- Älä anna lasten käyttää laitetta. Älä anna heidän leikkiä laitteella. Lapset eivät saa kiivetä laatikoihin tai roikkua ovissa.
- Laite toimii oikein oikeassa ympäristön lämpötilassa (ks. tuoteseloste). Älä käytä sitä kellarissa eikä lämmittämättömässä kesämökissä syksyllä ja talvella.
- Kun laitetta sijoitetaan, siirretään ja nostetaan, älä pidä kiinni ovien kahvoista, älä vedä jääkaappin takana olevasta lauhduttimesta äläkä kosketa

kompressoriyksikköä.

- Kun jääkaappipakastinta kuljetetaan, siirretään tai sijoitetaan, älä kallista sitä enempää kuin 40° pystyasennosta. Jos niin kuitenkin tehdään, on odotettava vähintään 2 tuntia laitteen oikeaan asentoon (kuva 2) palauttamisesta, ennen kuin laite laitetaan päälle.
- Irrota pistoke pistorasiasta ennen ylläpitotoimia. Älä vedä johdosta, vaan pidä kiinni pistokkeesta.
- ”Halkeileva” ääni, joka laitteesta voi kuulua osien laajenemisen ja supistumisen takia, johtuu lämpötilavaihteluista.
- Älä korjaa laitetta itse turvallisuussyistä. Laitteen käyttäjä voi joutua vakavaan vaaraan, jos korjauksia tekevällä henkilöllä ei ole vaadittua pätevyyttä.
- Tuuleta muutaman minuutin ajan huonetta, johon laite sijoitetaan (isobutaania/R600a:ta tuotettavan tuotteen huoneen koon on oltava vähintään 4 m³), jotta jäähdytysjärjestelmä ei vaurioidu.
- Älä pakasta osittain sulaneita tuotteita uudelleen.
- Älä säilytä pakastimessa pulloja ja metallipurkkeja eikä etenkään hiilihappoisia juomia. Metallipurkit ja pullot saattavat räjähtää.
- Älä aseta jäädytettyjä tuotteita, jotka on otettu suoraan pakastimesta (jääpuikkoja, jääkuutioita yms.) heti suuhun. Niiden alhainen lämpötila voi aiheuttaa vakavan paleltuman.
- Varmista, ettet vaurioita jäähdytysjärjestelmää puhkaisemalla haihduttimen jäähdytysaineputkia tai katkaisemalla putkia. Jäähdytysaine on sytyvää. Jos jäähdytysainetta joutuu kosketuksiin silmien kanssa, huuhtelee silmät puhtaalla vedellä ja käänny heti lääkärin puoleen.
- Jos virtajohto on vaurioitunut, sen saa vaihtaa ainoastaan valmistaja, valmistajan huoltoedustaja tai vastaava pätevä henkilö vaaran välttämiseksi.
- Tämä laite on tarkoitettu ruoan säilytykseen. Älä käytä sitä muihin tarkoituksiin.

- Kun teet toimintoja, kuten puhdistusta, ylläpitoa tai siirtoa, laite on irrotettava kokonaan virtalähteestä (irrottamalla pistoke pistorasiasta).
- Laitetta voivat käyttää vähintään 8-vuotiaat lapset tai henkilöt, joiden fyysiset, henkiset tai aisteihin liittyvät kyvyt ovat alentuneet, tai ne, joilla ei ole kokemusta laitteesta tai jotka eivät tunne sitä, mikäli tämä tapahtuu heidän turvallisuudestaan vastaavien henkilöiden valvonnassa tai näiden heille antaman ohjauksen mukaisesti ja mikäli he tuntevat laitteen käyttöön liittyvät riskit. Varmista, etteivät lapset leiki laitteella. Lapset eivät saa tehdä laitteen puhdistusta eikä huoltoa, elleivät he ole vähintään 8 vuotta ja pätevän henkilön valvonnassa.
- VAROITUS: Älä käytä sulatusprosessin nopeuttamiseen mekaanisia laitteita tai muita keinoja, ellei valmistaja niitä erikseen suosittele.
- VAROITUS: Älä käytä sähkölaitteita laitteen ruokasäilytystiloissa, paitsi jos ne ovat valmistajan suosittelemaa tyyppiä.
- Jos pistorasia ei sovi jääkaapin pistokkeeseen, sen saa vaihtaa ainoastaan valmistaja, valmistajan huoltoedustaja tai vastaava pätevä henkilö vaaran välttämiseksi.
- Voit lisätä tilaa pakastimessa poistamalla laatikot ja asettamalla ruoan suoraan hyllyille. Tällä ei ole vaikutusta tuotteen mekaanisiin ominaisuuksiin eikä jäähdytystehoon. Ilmoitettu pakastinkapasiteetti on laskettu ilman laatikoita.
- VAROITUS: Varo vahingoittamasta kylmäainepiiriä.
- Tämä laite on tarkoitettu käytettäväksi alle 2000 metrin korkeudessa.



VAROITUS: Tulipalon / syttyvien materiaalien vaara

- 3–8-vuotiaiden lasten on sallittua täyttää jäähdytyslaitteita ja ottaa niistä tuotteita.
- VAROITUS: Kun sijoitat laitetta, varmista, ettei virtajohto puristu tai vaurioidu.

Noudata seuraavia ohjeita, jotta vältät ruoan kontaminoitumisen:

- Oven avaaminen pitkiksi kausiksi voi aiheuttaa merkittävän lämpötilan nousun laitteen osastoissa.
- Puhdista säännöllisesti pinnat, jotka voivat joutua kosketuksiin ruoan ja käytettävissä poistojärjestelmien kanssa.
- Säilytä raaka liha ja kala jääkaapin sopivissa säiliöissä, jotta ne eivät joudu kosketuksiin tai tipu muun ruoan päälle.
- Kahden tähden pakasteosastot sopivat ennalta pakastetun ruoan säilytykseen, jäätelön säilytykseen ja valmistukseen sekä jääpalojen valmistukseen.
- Yhden, kahden ja kolmen tähden osastot eivät sovi tuoreen ruoan pakastukseen.
- VAROITUS: Älä käytä sähkölaitteita laitteen ruokasäilytystiloissa, paitsi jos ne ovat valmistajan suosittelemaa tyyppiä.

	Osaston TYYPPI	Säilytyksen kohdelämpötila [°C]	Sopiva ruoka
1	Jääkaappi	+2≤+8	Kananmunat, kypsennetty ruoka, pakattu ruoka, hedelmät ja vihannekset, maitotuotteet, kakut, juomat ja muut ruoat, jotka eivät sovellu pakastamiseen.
2	Pakastin ❄️***	≤-18	Meren antimet (kala, katkarapu, äyriäiset), makean veden tuotteet ja lihatuotteet (suositus 3 kuukautta, sillä mitä pitempi säilytysaika on, sitä enemmän maku ja ravintoarvo kärsivät), sopii pakastetulle tuoreruoalle.
3	Pakastin ❄️***	≤-18	Meren antimet (kala, katkarapu, äyriäiset), makean veden tuotteet ja lihatuotteet (suositus 3 kuukautta, sillä mitä pitempi säilytysaika on, sitä enemmän maku ja ravintoarvo kärsivät), ei sovi pakastetulle tuoreruoalle.

4	Pakastin (**)	≤-12	Meren antimet (kala, katkarapu, äyriäiset), makean veden tuotteet ja lihatuotteet (suositus 2 kuukautta, sillä mitä pitempi säilytysaika on, sitä enemmän maku ja ravintoarvo kärsivät), ei sovi pakastetulle tuoreruoalle.
5	Pakastin (*)	≤-6	Meren antimet (kala, katkarapu, äyriäiset), makean veden tuotteet ja lihatuotteet (suositus 1 kuukautta, sillä mitä pitempi säilytysaika on, sitä enemmän maku ja ravintoarvo kärsivät), ei sovi pakastetulle tuoreruoalle.
6	0- tähden osasto	-6≤0	Tuore sianliha, naudanliha, kala, kana, jotkin pakatut jalostetut elintarvikkeet jne. (suositeltavaa syödä saman päivän aikana, mieluummin 3 päivän sisällä). Osittain kapseloitua jalostetut elintarvikkeet (ei pakastettavat elintarvikkeet)
7	Kylmäosasto	2≤+3	Tuore/pakastettu sianliha, naudanliha, kana, makean veden tuotteet jne. (7 päivää alle 0°C ja yli 0°C on suositeltavaa käyttää saman päivän aikana, mieluummin enintään 2 päivän sisällä). Meren antimet (alle 0°C 15 päivän ajan, ei suositeltavaa säilyttää yli 0°C:ssa)
8	Tuore ruoka	0≤+4	Tuore sianliha, naudanliha, kala, kana, kypsennetty ruoka jne. (suositeltavaa syödä saman päivän aikana, mieluummin enintään 3 päivän sisällä).
9	Viini	+5≤+20	punaviiniä, valkoviiniä, kuohuviiniä jne.

- **Huomautus:** säilytä eri ruoat osastojen tai ostettujen tuotteiden säilytysohjeiden kohdelämpötilan mukaan.
- Jos jäähdytyslaitte on tyhjänä pitkiä jaksoja, kytke se pois päältä sekä sulata, puhdista ja kuivaa se. Jätä ovi auki, jotta estät homeen muodostumisen laitteeseen.
- Veden annostelijan puhdistus (koskee veden annostelutuotteita): Puhtaan veden säiliöt, jos niitä ei ole käytetty 48 tuntiin: huuhtelee veden syöttöön liittyvä vesijärjestelmä, jos vettä ei ole otettu 5 päivään.
- Komission asetuksen (EU) 2019/2019 mukaisesti, laitteen korjaamiseen tarvittavien varaosien saatavuus on vähintään 7-10 vuotta riippuen varaosan tyypistä ja tarkoituksesta.
- Varaosien lista ja tilausmenettelyt ovat saatavilla valmistajan, maahantuojaan tai valtuutetun edustajan nettisivuilla.
- Saadaksesi lisätietoa tuotteesta, tutustu EU EP-

REL Product Database -tietokantaan osoitteessa <https://eprel.ec.europa.eu>. Saadaksesi lisätietoa, skanna energiamerkinnässä oleva QR-koodi mobiililaitteellasi tai syötä energiamerkinnässä ilmoitettu tuotemalli EPREL: in hakukoneeseen <https://eprel.ec.europa.eu/>

LAITTEEN ASENNUS- JA KÄYTTÖEHDOT

Tätä jäähdytyslaitetta ei ole tarkoitettu käytettäväksi sisäänrakennettuna laitteena.

Asennus ennen laitteen ensimmäistä käyttöä

- Ota tuote pois pakkauksesta sekä poista ovea ja laitetta suojaava teippi. Mahdolliset liimatahrat voidaan poistaa miedolla pesuaineella.
- Älä heitä pois pakkauksen styroksiosia. Jos jääkaappipakastin on kuljetettava, pakkaa se styroksiosiin ja suojaa teipillä.
- Puhdista jääkaappipakastimen sisäpinta ja laitteen osat pesuaineella, joka on liuennut haalean veteen, ja pyyhi kuivaksi.
- Aseta jääkaappipakastin tasaiselle ja vakaalle pinnalle kuivaan, tuuletettuun ja varjoisaan huoneeseen kauas lämmönlähteistä, kuten uunista, liedestä, keskuslämmityspattereista, keskuslämmitysputkista, kuumavesiasennuksesta jne.
- Tuotteen ulkopinnalla voi olla suojakalvo, joka on poistettava.
- Varmista, että laite on suorassa ruuvaamalla kiinni 2 säädettävää etujalkaa (kuva 3).
- Varmista, että ovi avautuu esteettä. Laitteen sivun (oven saranapuolella) ja seinän välinen etäisyys näkyy kuvasta 5.*
- Varmista huoneen riittävä tuuletus ja ilmankierto laitteen kaikilla puolilla (kuva 6).*

Vähimmäisetäisyydet lämmönlähteistä

- sähkö ja kaasu-uuneista ja muista uuneista - 30 mm
- öljy- tai hiililämmitteisistä uuneista - 300 mm
- sisäänrakennetuista uuneista - 50 mm

Jos näitä etäisyyksiä ei voida varmistaa, käytä sopivaa eristyslevyä.

Varoitus:

- Jääkaapin takaseinä ja erityisesti lauhdutin ja muut jäähdytysjärjestelmän osat eivät saa koskettaa muita elementtejä, jotka voivat vaurioittaa niitä (esim. keskuslämmitysjärjestelmän putkia ja vesiputkia).
- Yksikön minkään osan uudelleensäätö tai muokkaaminen on kiellettyä. On olennaisen tärkeää, ettei kompressorin syvennyksessä näkyvä kapillaariputki vaurioidukaan. Putkea ei saa taivuttaa, suoristaa eikä kiertää.
- Jos käyttäjä vaurioittaa kapillaariputkea, takuu mitätöityy (kuva 8).
- Jossakin malleissa kahva on laitteessa. Ruuvaa se omalla ruuviavaimellasi.
- Varo vahingoittamasta kylmäainepiiriä.

Kytkeminen verkkovirtaan

Noudata kaikkia alla olevia varotoimia oman turvallisuutesi varmistamiseksi ja loukkaantumis- tai sähköiskuriskin pienentämiseksi.

- Ennen kytkemistä on suositeltava asettaa lämpötilan säätönappi OFF-asentoon tai muuhun asentoon, joka katkaisee laitteen virran (ks. säädön kuvausta).
- Ennen kytkemistä on suositeltava asettaa lämpötilan säätönappi OFF-asentoon tai muuhun asentoon, joka katkaisee laitteen virran (ks. säädön kuvausta).
- Laite on kytkettävä 220V-240 V 50 Hz -pistorasiaan. Pistorasian on oltava kiinnitetty kunnolla, ja siinä on oltava maadoitusjohto ja 10 A:n sulake.
- Laki vaatii, että laitteen on oltava oikein maadoitettu. Valmistajaa ei voida asettaa vastuuseen vauriosta tai tapaturmasta, joka voi koitua tämän vaatimuksen täyttämättä jättämisestä.
- Älä käytä sovitimia, monella pistorasialla varustettuja jatkojohtoja tai kahden johdon jatkojohtoja. Jos on käytettävä jatkojohtoa, siinä on oltava maadoituspiikki ja yksi pistorasia, ja sillä on oltava VDE/GS-turvallisuussertifikaatti.
- Jos käytetään jatkojohtoa (jossa on maadoituspiikki ja jolla on turvallisuussertifikaatti), sen pistorasian on sijaittava turvallisella etäisyydellä pesualtaista eikä se saa olla paikassa, johon voi tulla vettä tai jätevettä.
- Katso yksityiskohtaiset tekniset tiedot laitteen sisäseinän alaosa^{**}.
- Varmista, että pistorasiaan on helppo pääsy, jotta pistokkeen saa irrotettua helposti.

Irrottaminen verkkovirrasta

Varmista, että laite voidaan helposti irrottaa verkkovirrasta joko vetämällä pistoke pois pistorasiasta tai kääntämällä kaksinapainen kytkin pois päältä.

Ilmastoalue

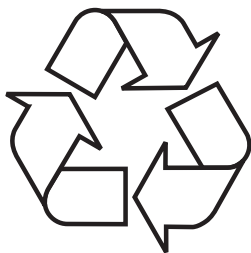
Tiedot laitteen ilmastoalueesta on nimellistehokilvessä. Ne kertovat, missä ympäristön lämpötilassa (eli huonelämpötilassa, jossa laite toimii) laitteen käyttö on optimaalista (oikeaa).

Ilmastoluokka:		Sallittu ilman lämpötila
SN	Pidennetty lauhkea	Tämä jäähdytyslaite on tarkoitettu käytettäväksi 10°C-32°C asteen lämpötiloissa
N	Lauhkea	Tämä jäähdytyslaite on tarkoitettu käytettäväksi 16°C-32°C asteen lämpötiloissa
ST	Subtrooppinen	Tämä jäähdytyslaite on tarkoitettu käytettäväksi 16°C-38°C asteen lämpötiloissa
T	Trooppinen	Tämä jäähdytyslaite on tarkoitettu käytettäväksi 16°C-43°C asteen lämpötiloissa

* Vain itsenäisesti seisovat laitteet

** Mallin mukaan

PAKKAUKSEN PURKAMINEN



Kuljetuksen aikana käytetään suo-
japakkausta, joka suojaa laitetta
mahdolliselta vauriolta. Hävitä pak-
kauksen purkamisen jälkeen kaikki
pakkaustarvikkeet tavalla, joka ei ai-
heuta haittaa ympäristölle.

Laitteen kaikki pakkausmateriaalit
ovat ympäristöystävällisiä. Ne voi-
daan kierrättää 100-prosenttisesti, ja niissä on tästä
kertova asianmukainen symboli.

Tärkeää! Pakkausmateriaalit (pussit, polyeteeni,
polystyreeni jne.) on pidettävä pakkauksen purka-
misen aikana poissa lasten ulottuvilta.

VANHAN LAITTEEN HÄVITYS



Tämä laite on varustettu eurooppalai-
sen direktiivin 2012/19/EY ja suoma-
lainen sähkö- ja elektroniikkatuotteita
koskevan lainsäädännön mukaisesti
varustettu rastitetulla roskasäiliön
symbolilla. Merkintä tarkoittaa, että
laitetta ei saa käytön jälkeen hävittää
kotitalousjätteen mukana.

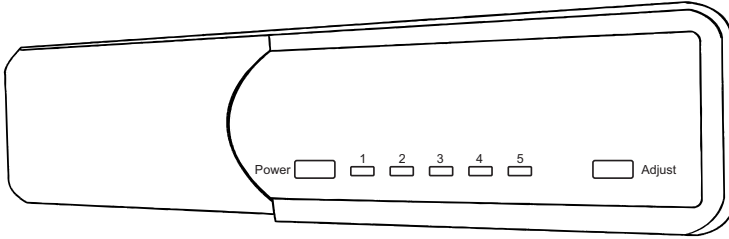
Käyttäjä on velvollinen toimittamaan sen sähkö- ja
elektroniikkalaitteiden keräyspisteeseen. Kerääjät,
kuten paikalliset keräyspisteet, kaupat ja paikalliset
viranomaiset, tarjoavat kierrätysmalleja.

Käytettyjen sähkö- ja elektroniikkalaitteiden oikea
käsittely auttaa välttämään ympäristö- ja terveys-
vaaroja, jotka johtuvat tällaisten tuotteiden vaaral-
listen osien läsnäolosta sekä virheellisestä säilytyk-
sestä ja käsittelystä.

SÄÄTIMET

Laitteen säätimet

Ohjauspaneeli on kuvassa 10. Se on viitteeksi myös alla:



Säädä lämpötilaa laitteen sisällä

1. Säädä osaston lämpötilaa painamalla **säätöpainiketta**. Valitse ase-
tus väliltä 1–5. 1 – korkein lämpötila; 5 – alin lämpötila.
2. Sammuta laite painamalla **virtapainiketta** ja pitämällä sitä painet-
tuna 3 sekunnin ajan. Painikkeeseen syttyy valo ja virta katkais-
taan. Jääkaappiosaston sisävalo ja kompressori sammuvat. Käyn-
nistä laite uudelleen pitämällä virtapainiketta painettuna 3 sekuntia.
Merkkivalo palaa, kun virta on päällä.

Lisätietoa lämpötilasta

- Laitteen sisäiseen lämpötilaan vaikuttavat useat eri tekijät. Se miten
sinun tulisi asettaa lämpötilansäädin on riippuvainen ilman lämpöti-
lasta, auringonpaisteelle altistumisesta, siitä kuinka usein avaat oven
ja varastoidun ruoan määrästä. Säätimen keskiasento on useimmis-
sa tapauksissa kaikkein optimaalisin.
- Älä laita elintarvikkeita jääkaappipakastimeen, ennen kuin se on saa-
vuttanut sen toimintalämpötilan, mikä vie vähintään 4 tuntia.
- Älä muuta lämpötila-asetuksia vuodenajan vaihtumisen takia. Anturi
havaitsee ympäristön lämpötilan nousun, ja kompressori kytkeytyy
päälle automaattisesti pitemmäksi aikaa pitämään yllä laitteiden si-
sälämpötilaa.
- Vähäiset muutokset lämpötilassa ovat täysin normaaleja, ja niitä voi
ilmetä esimerkiksi silloin, kun suurta määrää tuoreita tuotteita säi-
lytetään jääkaapissa tai kun ovea pidetään auki pitempään. Tämä
ei vaikuta säilytettävien elintarvikkeiden tilaan, ja lämpötila palaa
nopeasti asetetuksi.

Ovihälytін*

Jos ovi on auki yli minuutin, ovihälytін aktivoituu. Voit sammuttaa häly-
tyksen sulkemalla oven tai painamalla mitä tahansa painiketta. Jos ovi
on edelleen auki minuutin jälkeen, toista yllä olevat toimenpiteet.

KÄYTTÖ JA TOIMINNOT

Elintarvikkeiden säilytys jääkaappipakastimessa

- Tuotteet on sijoitettava lautasille, astioihin tai pakattava elintarvikkeisiin. Jaa ne tasaisesti hyllyille.
- Jos elintarvikkeet ovat kosketuksissa takaseinään, ne voivat huurtua tai kastua.
- Älä laita jääkaappiin kuumia aterioita.
- Tuotteet, jotka imevät hajuja helposti, kuten voi, maito ja valkoinen juusto, sekä tuotteet, joissa on voimakas haju, kuten kala, savustettu liha ja kova juusto, on asetettava hyllyille pakattuina elintarvikkeisiin tai tiiviisti suljettuihin astioihin.
- Merkittäviä määriä vettä sisältävien vihannesten säilyttäminen aiheuttaa kosteuden tiivistymistä vihannessäiliöihin. Tämä ei vaikuta jääkaappin oikeaan toimintaan.
- Kuivaa vihannekset hyvin ennen niiden laittamista jääkaappiin.
- Liiallinen kosteus lyhentää vihannesten ja etenkin lehtimäisten vihannesten säilytysikää.
- Älä pese vihanneksia ennen niiden säilyttämistä jääkaapissa. Peseminen poistaa luonnollisen suojan. Siksi vihannekset on parempi pestä juuri ennen käyttöä.
- On suositeltavaa asettaa tuotteet pakastimen laatikoihin 1, 2, 3* enintään luonnollisen täyttökapasiteetin mukaan (kuva 11a/11b).**

1. Pakatut tuotteet
2. Hylly
3. Luonnollinen täyttökapasiteetti
4. ✖***

- Tuotteiden pinoaminen pakastimen hyllyille on hyväksyttävää.*
- On hyväksyttävää ylittää tuotteiden luonnollinen täyttökapasiteetti 20 - 30 millimetrillä.**
- Laatikot 1 ja 2 voidaan poistaa pakastimen täyttökapasiteetin lisäämiseksi ja jotta tuotteita voidaan pinota pakastimen lauhduttimen lankahyllyjen päälle.*

Ruoan pakastaminen**

- Käytännössä kaikki ruokatuotteet paitsi raakana syötävät vihannekset, kuten lehtisalaatti, voidaan pakastaa.
- Pakasta vain korkealaatuisimpia ruokatuotteita jaettuina pieniin anoksiin yhtä käyttökertaa varten.
- Tuotteet on pakattava hajuttomiin, ilmatiiviisiin ja kosteutta läpäisemättömiin materiaaleihin, jotka eivät ole alttiita rasvalle. Muovipussit sekä polyeteeni- ja alumiiniarkit ovat parhaita kääremateriaaleja.
- Pakkauksen on oltava tiiviisti elintarvikkeiden ympärillä. Älä käytä lasiastioita.
- Pidä tuoreet ja huoneenlämpöiset ruoka-aineet erillään tuotteista, jotka on jo pakastettu.
- Suosittelemme, ettet aseta liikaa elintarvikkeita kerrallaan pakastimeen päivää kohti (ks. taulukko, jossa annetaan tekniset tiedot).
- Pakastetun ruoan ihanteellisen laadun ylläpitämiseksi järjestä pakas-

timen keskellä oleva ruoka niin, että se ei kosketa tuotteita, jotka eivät ole vielä pakastuneet.

- On suositeltavaa, että siirrät jo pakastetut tuotteet yhdelle puolelle ja sijoitat tuoreet pakastettavat tuotteet vastapäiselle puolelle mahdollisimman lähelle taka- ja sivuseiniä.
- Käytä tuotteiden pakastukseen tilaa, jossa on merkintä **❄️***❄️**.
- Muista, että pakastimen lämpötilaan vaikuttavat useat tekijät, kuten ympäristön lämpötila, sisällä olevien ruokatuotteiden laatu, oven avaamistiheys, pakastimen huurteen määrä ja termostaattiasetus.
- Jos et voi avata pakastimen ovea heti sen sulkemisen jälkeen, odota 1 - 2 minuuttia alipaineen kompensoitumista ja yritä sitten avata ovi uudelleen.

Pakastettujen tuotteiden säilytysaika riippuu niiden laadusta tuoreena ennen pakastusta ja säilytyslämpötilasta. Seuraavat säilytyskaudet ovat suositeltavia, kun ylläpidettävä lämpötila on -18 °C tai alaisempi:

Tuotteet	Kuukautta
Naudanliha	6-8
Vasikanliha	3-6
Eläimenosat	1-2
Sianliha	3-6
Siipikarja	6-8
Kanamunat	3-6
Kala	3-6
Vihannekset	10-12
Hedelmät	10-12

Älä säilytä pakastettua ruokaa nopeasti jäähdyttävässä osastossa. Jääpaloja voidaan valmistaa ja säilyttää tässä osastossa.

Huomautus: Jos laitteessa ei ole pakasteosastoa (**❄️***❄️**), se ei sovellu elintarvikkeiden pakastamiseen.

* Sovellettavissa laitteisiin, joiden pakastinosasto on laitteen alaosassa.

** Sovellettavissa laitteisiin, joissa on pakastinosasto **❄️***❄️**

*** Ei sovellettavissa laitteisiin, joiden pakastinosastossa on merkintä **❄️***❄️**

JÄÄKAAPIN TEHOKAS KÄYTTÖ

Käytännön vinkkejä

- Älä sijoita jääkaappeja tai pakastimia lämpöpattereiden, lämmittimien tai uunien lähelle tai suoraan auringonvaloon.
- Varmista, että tuuletusaukot eivät ole peitossa ja että puhdistat niistä pölyn kerran tai kahdesti vuodessa.
- Valitse oikea lämpötila: 6 - 8 °C jääkaapille ja -18 °C pakastimelle on riittävä.
- Aseta jääkaappiin korkeampi lämpötila, kun lähdet lomalle.
- Avaa jääkaappi tai pakastin vain silloin, kun se on tarpeellista. Auttaa jos tiedät, mitä ruokaa kumpikin sisältää ja missä se on. Palauta elintarvike jääkaappiin tai pakastimeen heti käytön jälkeen, jotta se ei lämpene liikaa.
- Pyyhi jääkaapin sisäpuoli säännöllisesti liinalla, jota on liotettu miedossa pesuaineessa. Laitteet, joissa ei ole automaattista sulatusta, edellyttävät säännöllistä sulatusta. Älä anna huurrekerroksen kasvaa yli 10 mm:n paksuiseksi.
- Pidä ovea ympäröivä tiiviste puhtaana, muuten ovi ei sulkeudu kunnolla. Korvaa aina rikkoutunut tiiviste.

Tähtien selitys



Lämpötila on vähintään -6 °C; riittävä pakastetun ruoan säilyttämiseen viikon ajan. Yhdellä tähdellä merkityt laatikot tai osastot olivat (yleensä) halvempien jääkaappien ominaisuus.



Ruokaa voidaan säilyttää -12 °C:ssa tai kylmemmässä 1 - 2 viikkoa sen menettämättä makuaan. Ei sopiva ruoan pakastamiseen.



Tätä merkintää käytetään lähinnä elintarvikkeiden säilyttämisestä -18 °C:n lämpötilassa tai kylmemmässä. Voidaan myös käyttää enintään 1 kg painavan tuoreen elintarvikkeen pakastamiseen.



Tämä laite on sopiva elintarvikkeiden säilyttämiseen 18 °C:n lämpötilassa tai kylmemmässä ja tuoreiden elintarvikkeiden suurten määrien pakastamiseen.

Käytännön vinkkejä

Laitteen luonnollisen ilmankierron takia jääkaapissa on erilaisia lämpötila-alueita

- Kylmin alue on heti vihanneslaatikoiden yläpuolella. Käytä tätä aluetta herkkien ja helposti pilaantuvien elintarvikkeiden säilyttämiseen. Esimerkiksi:
 - Kala, siipikarja
 - Makkaratuotteet, einekset
 - Ateriat ja leivonnaiset, jotka sisältävät kananmunia tai kermaa
 - Tuore taikina, kakkusekoitukset
 - Espipakatut vihannekset ja muut tuoreet elintarvikkeet, joissa on merkintä, että ne on säilytettävä n. 4°C:n lämpötilassa.
- Lämpimin alue on oven yläosassa. Käytä sitä voion ja juuston säilyttämiseen.

Elintarvikkeet, joita ei pidä säilyttää jääkaapissa

- Kaikki elintarvikkeet eivät ole sopivia säilytettäväksi jääkaapissa. Niitä ovat erityisesti seuraavat:
 - Hedelmät ja vihannekset, jotka ovat herkkiä kylmälle, kuten banaanit, avokadot, papaijat, passionhedelmät, munakoisot, paprikat, tomaatit ja kurkut.
 - Hedelmät, jotka eivät ole vielä kypsiä
 - Perunat

Varoitus:

Esimerkki elintarvikkeiden säilyttämisestä, ks. kuva 12.

Jotta ruoka säilyisi mahdollisimman pitkään ja jotta mitään siitä ei menisi hukkaan, asettele tuotteet kohdan 12. esimerkin mukaisesti. Lisäksi tässä kohdassa on esitettyä myös lokeroitten, koriin ja hyllyjen pohjapiirroksia, jotka mahdollistavat mahdollisimman tehokkaan energiankäytön.

Optimaaliset lämpötilat ja säilytysolosuhteet pidentävät tuotteiden säilyvyyttä ja parantavat energiankulutusta. Optimaaliset säilytyslämpötilat tulisi olla ilmoitettuna elintarvikkeen pakkauksessa.

SULATUS, PESU JA YLLÄPITO

Älä koskaan puhdista tuotteen ulkopintaa tai muoviosia liuottimilla tai voimakkailla hankaavilla puhdistusaineita (esim. pesujauheilla tai -voiteilla)! Käytä mietoja nestemäisiä pesuaineita ja vain pehmeää liinaa. Älä käytä sieniä.

Muoviset ulkopinnat kannattaa puhdistaa mikrokuituliinalla, sillä muuten niihin syntyy pysyviä mikronaarmuja.

Jääkaapin sulatus**

- Huurretta kertyy jääkaapin takaseinään. Se poistuu automaattisesti. Sulatuksen aikana lauhde, joka sisältää epäpuhtauksia, voi tukkia aukon. Jos niin käy, avaa aukko varovasti puhdistustulpalla tai metallilangalla (kuva 13).
- Laite toimii sykleissä. Se jäähdyttää (jolloin huurretta tulee takaseinään) ja sulattaa (vesi virtaa alas pitkin takaseinää).
- Kytke laite pois verkkovirrasta ennen puhdistusta irrottamalla pistoke pistorasiasta tai kytkemällä sulake pois päältä. Estä veden tunkeutuminen ohjauspaneeliin tai lamppuun.
- Älä käytä sulatusaerosoleja. Ne voivat aiheuttaa räjähtävän sekoituksen muodostumisen tai sisältää liuotteita, jotka saattavat vaurioittaa laitteen muoviosia ja jopa olla haitallisia terveydelle.
- Varmista, että puhdistukseen käytettävä vesi ei virtaa haihdutinsäiliön poistoaukon kautta.
- Koko laite oven tiivistettä lukuun ottamatta on puhdistettava miedolla puhdistusaineella. Oven tiiviste on puhdistettava vedellä ja pyyhittävä kuivaksi.
- Pese kaikki lisävarusteet (vihannessäiliöt, ovihyllyt, lasihyllyt jne.).
- VAROITUS: Älä käytä sulatusprosessin nopeuttamiseen mekaanisia laitteita tai muita keinoja, ellei valmistaja niitä erikseen suosittele.

Pakastimen sulatus**

- Laitteen sulatus on suositeltavaa yhdistää sen pesuun.
- Jään liiallinen kertyminen pakastusalueille heikentää laitteen pakastuskapasiteettia ja lisää energiankulutusta.
- Sulata laite vähintään kerran tai kaksi vuodessa. Jos jäätä muodostuu enemmän, sulatus on tehtävä useammin.
- Jos pakastimessa on elintarvikkeita, aseta nuppi enimmäisasentoon noin 4 tuntia ennen suunniteltua sulatusta. Tämä mahdollistaa elintarvikkeiden säilyttämisen ympäristön lämpötilassa pitempään.
- Kun otat elintarvikkeet pois pakastimesta, laita ne säiliöön, kääri niiden ympärille useita kerroksia paperia tai huopa ja säilytä niitä viileässä paikassa.
- Sulatuksen on kestettävä mahdollisimman vähän aikaa. Elintarvikkeiden pitkä säilytys ympäristön lämpötilassa lyhentää niiden säilytyksen kestävyyttä.

Sulata pakastinosasto seuraavasti:**

- Kytke laite pois päältä ohjauspaneelista ja irrota pistoke pistorasiasta.
- Avaa ovi ja poista elintarvikkeet pakastimesta.
- Vedä (mallin mukaan) esiin poistoletku, joka on pakastinosaston alaosassa, ja aseta sopiva astia sen alle.
- Jätä ovi auki. Se nopeuttaa sulamista. Pakastimeen voidaan asettaa myös astia, jossa on kuumaa (ei kiehuvaa) vettä.
- Pese pakastimen sisäpuoli ja pyyhi kuivaksi.
- Kytke laite päälle käyttöoppaan kyseisen kohdan mukaan.

Jääkaapin automaattinen sulatus****

Jääkaappi on varustettu automaattisella sulatustoiminnolla. Huurretta voi silti kerääntyä jääkaapin takaseinään. Näin käy usein, kun suuria määriä tuoreita elintarvikkeita säilytetään jääkaapissa.

Jääkaapin automaattinen sulatus****

Jääkaappi on varustettu automaattisella sulatustoiminnolla (no-frost). Elintarvikkeet pakastuvat jäähydytetyssä ilmavirrassa, ja pakastimen kosteus poistuu ulkopuolelle. Tämän ansiosta pakastimeen ei muodostu jäätä ja huurretta eivätkä tuotteet jäädy kiinni toisiinsa.

Jääkaapin ja pakastimen pesu****

On suositeltavaa pestä jääkaappi ja pakastin vähintään kerran vuodessa. Tämä estää bakteerien ja pahan hajun muodostumisen. Kytke laite pois päältä painikkeella (1), poista elintarvikkeet sekä pese sisäpuoli vedellä ja miedolla pesuaineella. Pyyhi sitten sisäpuoli kuivaksi liinalla.

Hyllyjen irrottaminen ja takaisin laittaminen*****

Liu'uta hylly ulos ja liu'uta sitä sitten sisään mahdollisimman paljon, jotta puristin sopii ohjausuraan (kuva 15).

Ovihyllyn irrottaminen ja takaisin laittaminen*****

Nosta ovihyllyä, irrota se ja laita se takaisin ylhäältä sen vaadittuun asentoon (kuva 16).

VAROITUS! Älä missään tapauksessa laita pakastimeen sähkölämmittintä, lämpöpuhallinta tai hiusten kuivaajaa.

** Sovellettavissa laitteisiin, joissa on pakastinosasto 

*** Ei koske laitteita, joissa on jäätymissuojia.

*** Ei koske laitteita, joissa on jäätymissuojia.

**** Sovellettavissa laitteisiin, joissa on huurtumaton järjestelmä.

***** Ei koske pakastimia

VIANMÄÄRITYS

Ongelma	Mahdollinen syy	Ratkaisu
Laite ei toimi	Virtapiirissä on häiriö	- Tarkista, onko pistoke kunnolla pistorasiassa - Tarkista, ettei laitteen verkkojohto ole vaurioitunut - Tarkista, onko pistorasiassa jännitettä, liittämällä siihen jokin muu laite, esimerkiksi yölamppu - Tarkista, onko laite kytketty päälle, asettamalla termostaatti asentoon, joka on suurempi kuin 0.
Kammion valo ei toimi	Lamppu on löystynyt tai palanut (vain laitteet, joissa on hehkulamppuvalaistus)	- Kiinnitä lamppu oikein tai vaihda se (ks. edeltä kohta Lampun vaihtaminen)
Laite toimii jatkuvasti	Säätönupin virheellinen asetus	- Aseta nuppi pienempään asetukseen
	Ks. muita mahdollisia selityksiä kohdasta Lämpötila laitteen sisällä ei ole tarpeeksi alhainen	Ks. muita mahdollisia ratkaisuja kohdasta Lämpötila laitteen sisällä ei ole tarpeeksi alhainen
Vesi kerääntyy laitteen alaosaan	Veden poistoaukko on tukossa (mallin mukaan)	- Puhdista poistoaukko (ks. kohta Jääkaapin sulatus)
	Sisäisen ilmankierron häiriö	- Aseta elintarvikkeet ja astiat niin, että ne eivät kosketa jääkaapin takaseinää
Laite pitää epätavallista ääntä	Laite ei ole suorassa	- Aseta laite suoraan
	Laite koskettaa huonekalua ja/tai muita esineitä	- Aseta laite paikkaan, jossa sen ympärillä on riittävästi tyhjää tilaa

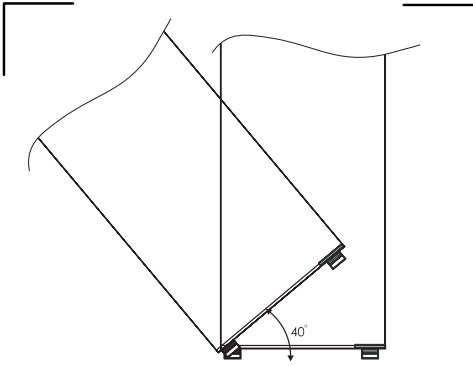
Ongelma	Mahdollinen syy	Ratkaisu
	Säätönupin virheellinen asetus	- Aseta nuppi suurempaan asetukseen
	Ympäristön lämpötila on suurempi tai pienempi kuin ilmastoalue, joka on teknisten tietojen taulukossa	- Laite on mukautettu toimimaan teknisten tietojen taulukon ilmoittamalla ilmastoalueella
	Laite on auringon valaistuksessa paikassa tai lämmönlähteiden lähellä	- Siirrä laite toiseen paikkaan. Noudata käyttöoppaan ohjeita
	Liikaa lämpimiä elintarvikkeita on laitettu laitteeseen kerralla	- Odota 72 tuntia, kunnes ruoka jäähtyy (pakastuu) ja vaadittava lämpötila saavutetaan
Lämpötila laitteen sisällä ei ole tarpeeksi alhainen tai on liian korkea	Sisäisen ilmankierron estyminen	- Aseta elintarvikkeet ja astiat niin, etteivät ne kosketa jääkaapin takaseinää
	Ilmankierrossa laitteen takana on este	- Siirrä laite vähintään 30 mm:n etäisyyteen seinästä
	Jääkaapin/pakastimen ovi avataan liian usein ja/tai jää auki liian pitkäksi aikaa	- Vähennä oven avaamistiheyttä ja/tai lyhennä oven aukioloaikaa
	Ovi ei sulkeudu kunnolla.	- Aseta elintarvikkeet ja astiat niin, että ne eivät estä oven sulkemista.
	Kompressorin käy liian harvoin.	- Tarkista, ettei ympäristön lämpötila ole alhaisempi kuin ilmastointiluokassa.
	Oven tiiviste ei ole kunnolla paikallaan	- Paina tiiviste sisään

Jääkaapin normaalin käytön aikana voidaan kuulla tiettyjä ääniä, jotka eivät vaikuta sen oikeaan toimintaan

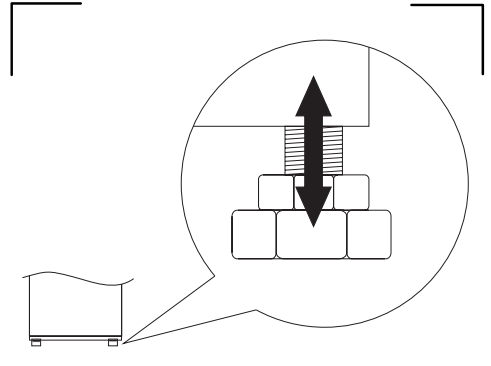
Äänet, jotka voidaan helposti estää:

- Vinossa olevan laitteen ääni - säädä asento säädettävillä etujaloilla. Aseta vaihtoehtoisesti pehmeää materiaalia olevia paloja takapyörien alle etenkin, jos laite on laattojen päällä.
- Koskettaa viereistä huonekalua - siirrä jääkaappi kauemmas.
- Laatikoiden tai hyllyjen kirskunaa - ota laatikko tai hylly pois ja laita takaisin.
- Kalisevien pullojen ääni - siirrä pullot erilleen.

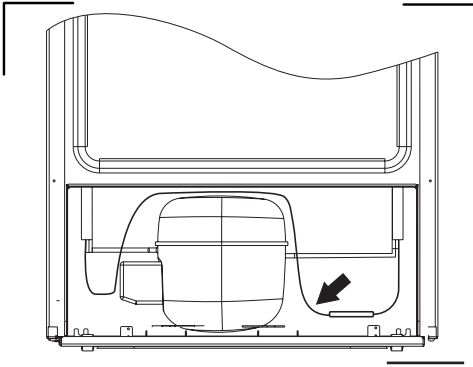
Äänet, joita kuullaan normaalin käytön aikana johtuvat pääasiassa termostaatin toiminnasta, kompressorista (päälle kytkeytyessä) ja jäähdytysjärjestelmästä (jäähdytysaineen virtauksen aiheuttama lämpölaajeneminen ja supistuminen).



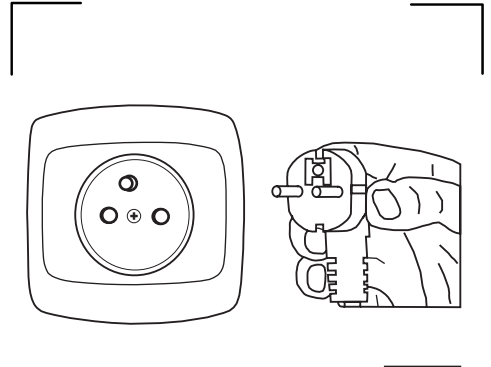
2



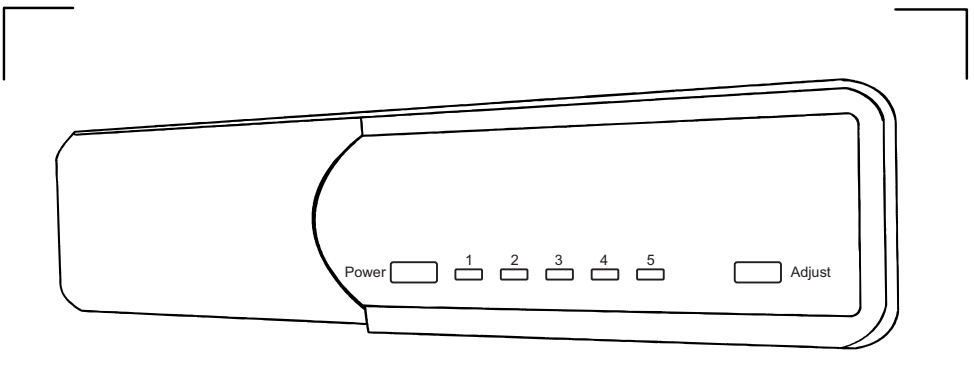
3



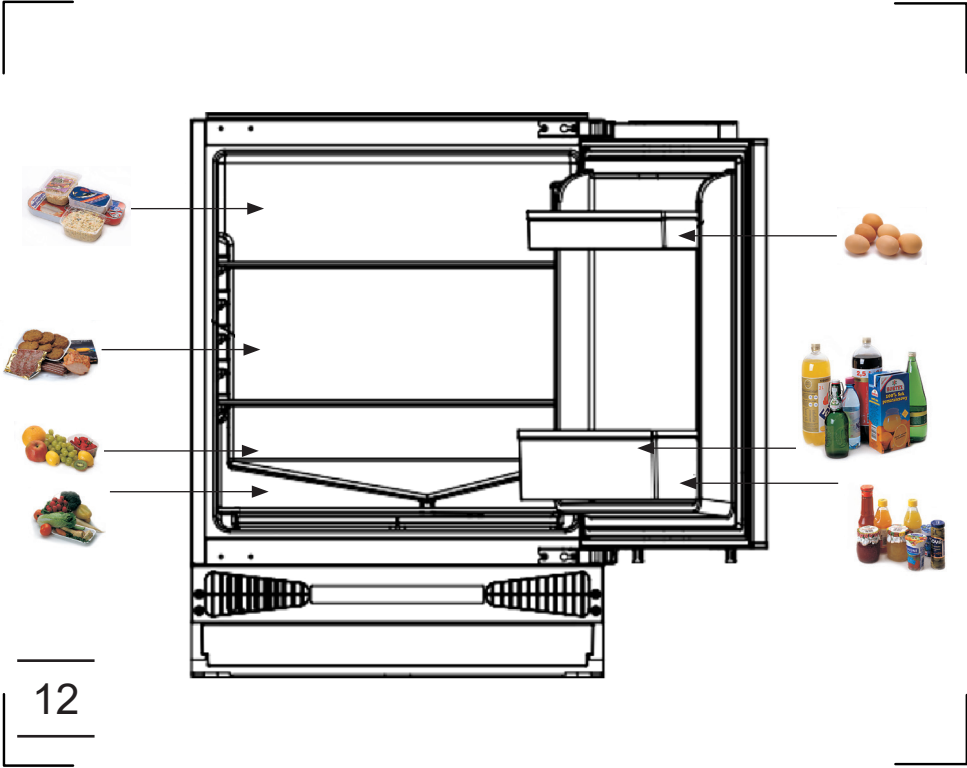
8



9

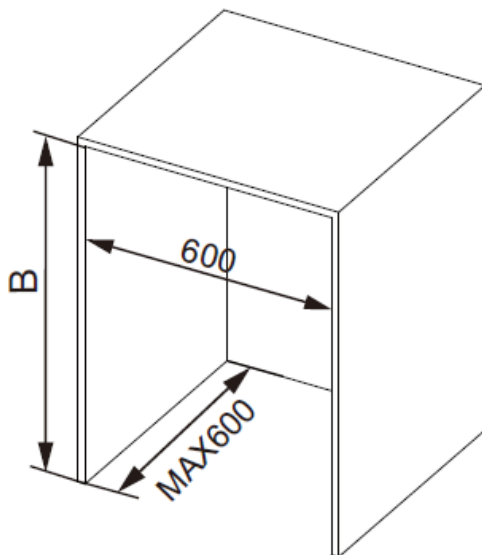
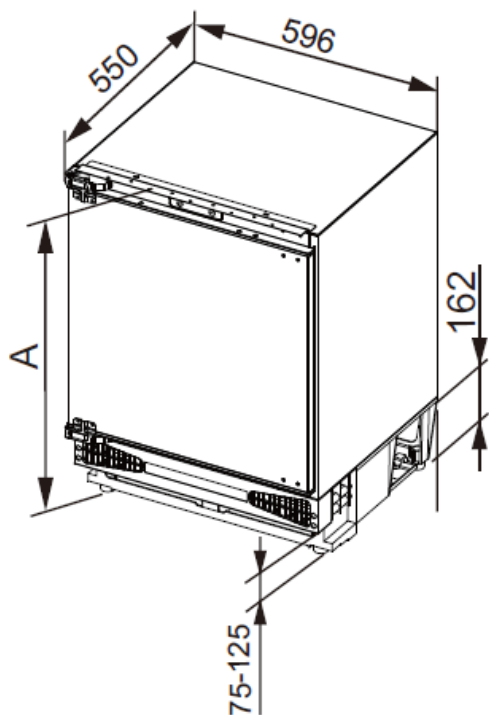


10

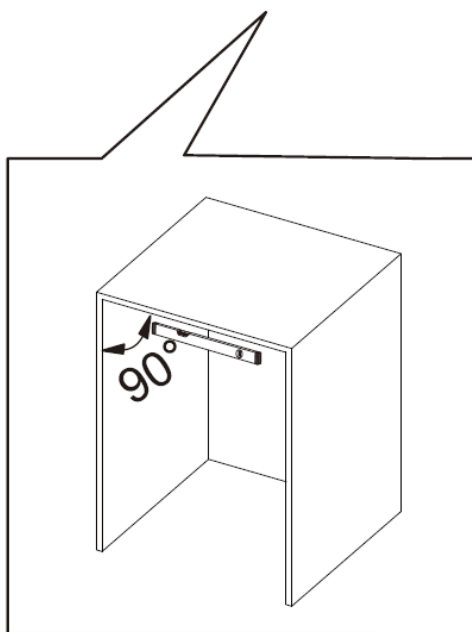


12

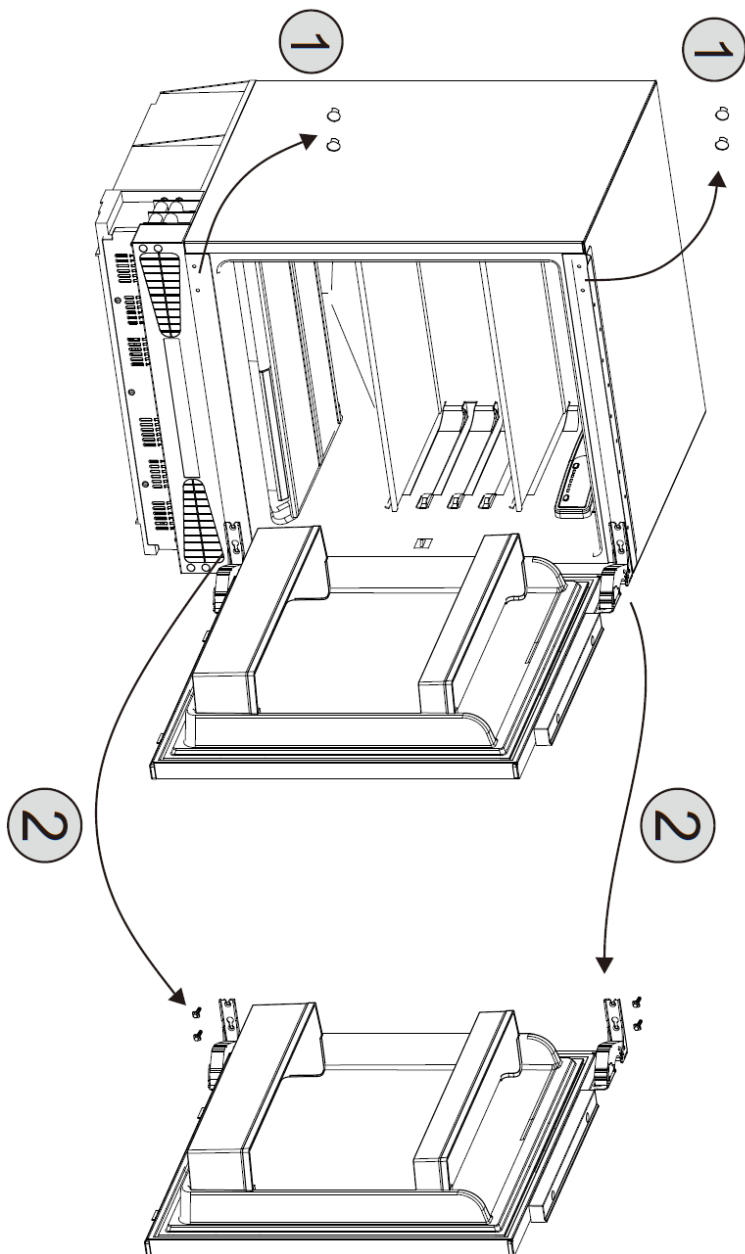
EN - Built-in furniture and reversing the door
 SV - Inbyggda möbler och vändning av dörren
 DA - Indbyggede møbler og vending af døren
 NO - Innebygde møbler og reversering av døren
 FI - Kiinteät kalusteet ja oven kätisyden vaihtaminen

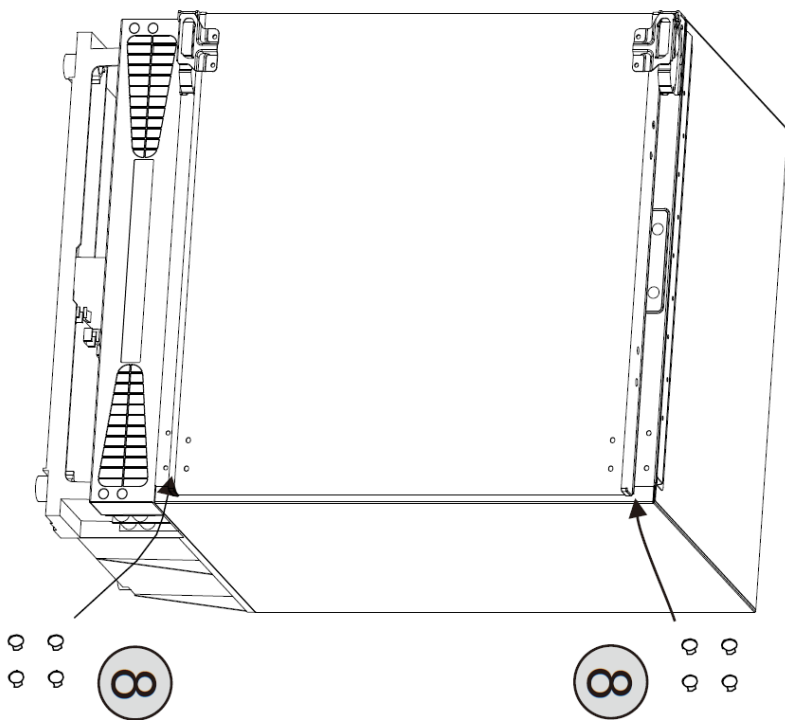
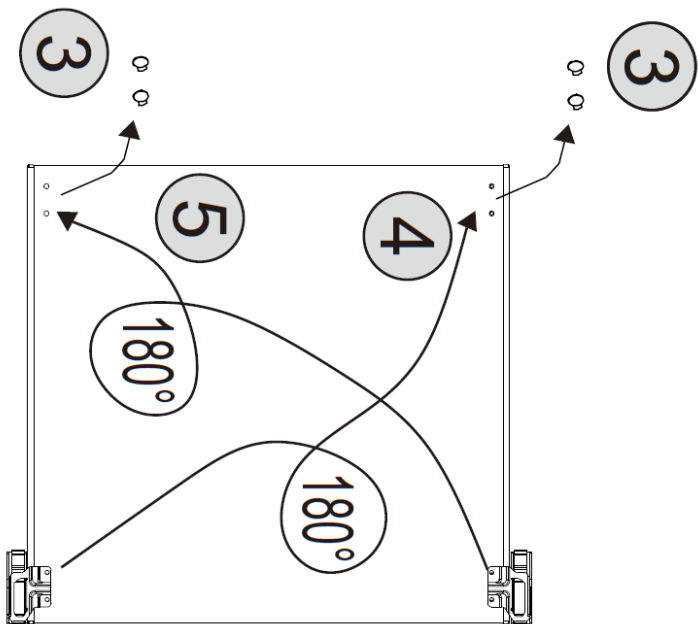


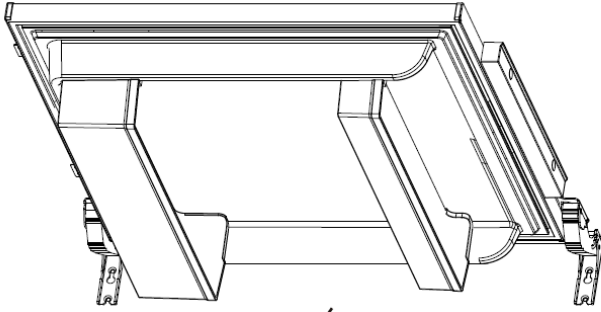
A (mm)	B (mm)
820-870	822-872



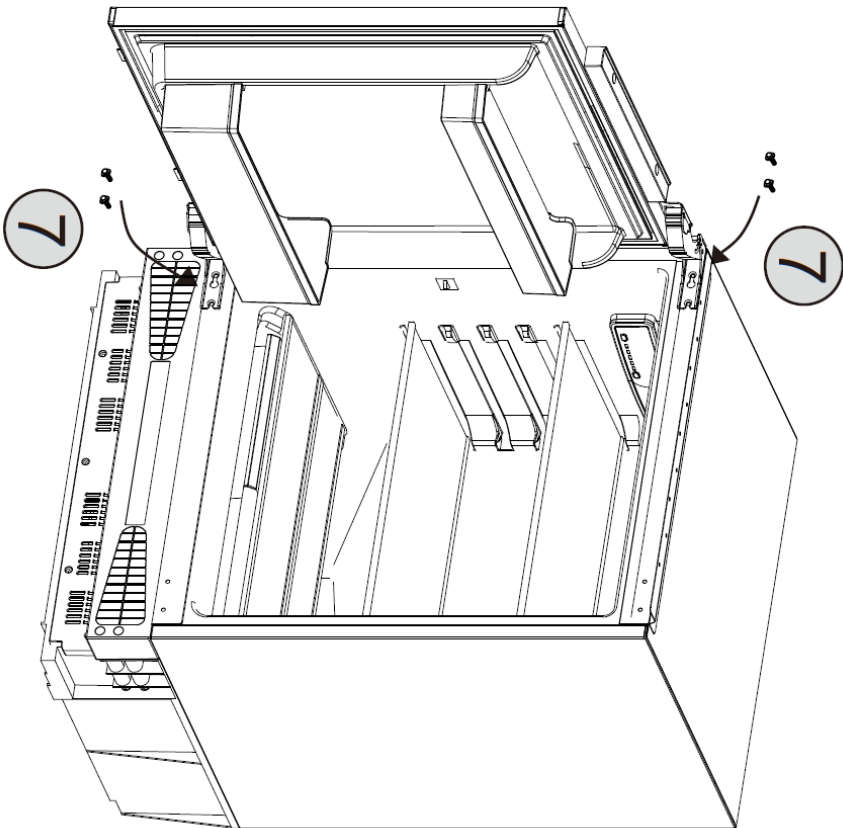
EN - Reversing the door
SV - Vändning av dörren
DA - Vending af døren
NO - Reversering av døren
FI - Kätisyyden vaihtaminen



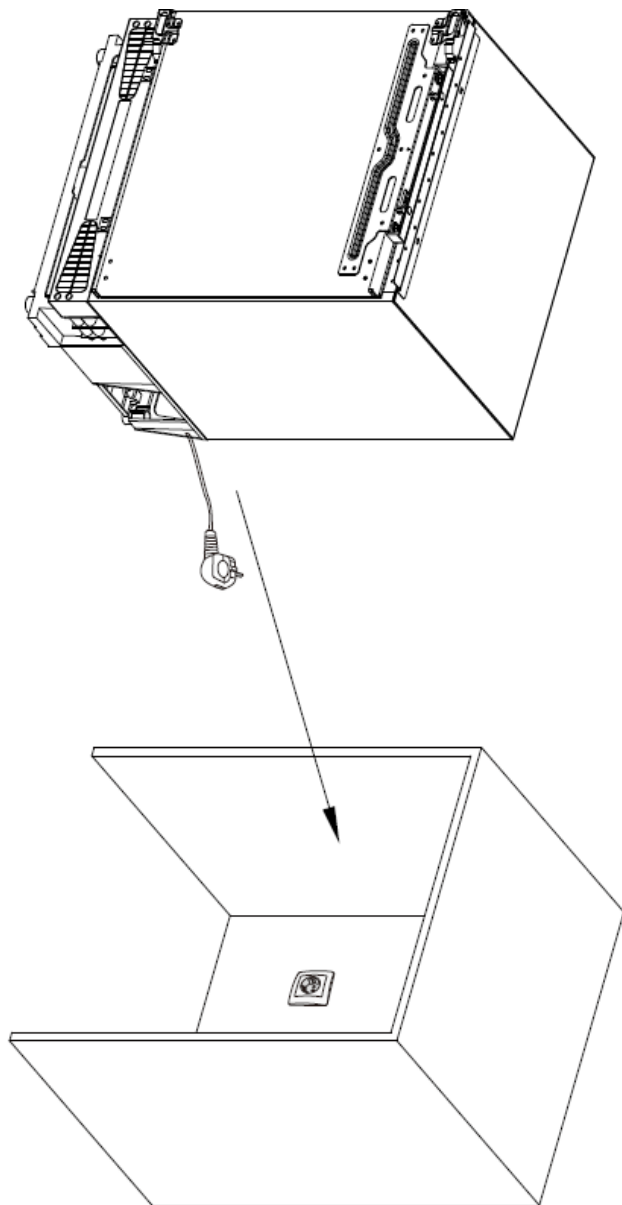


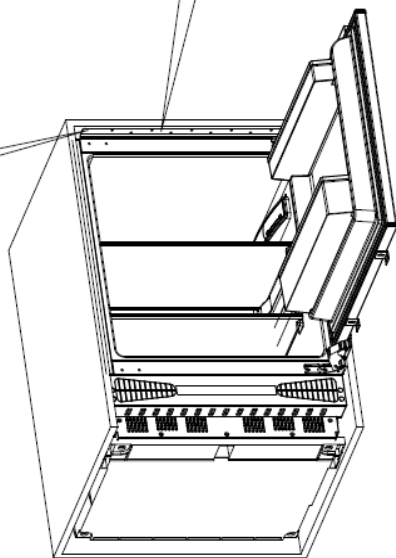
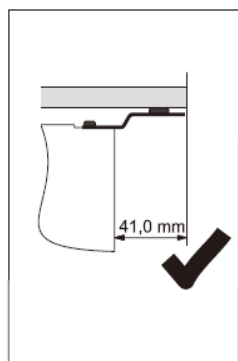
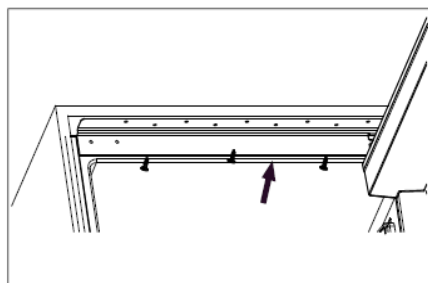
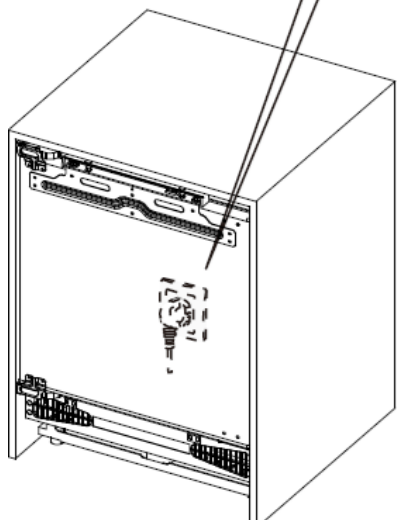
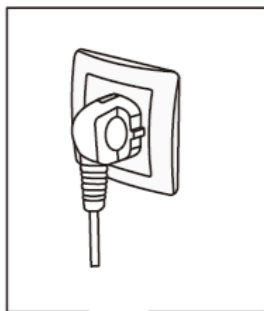


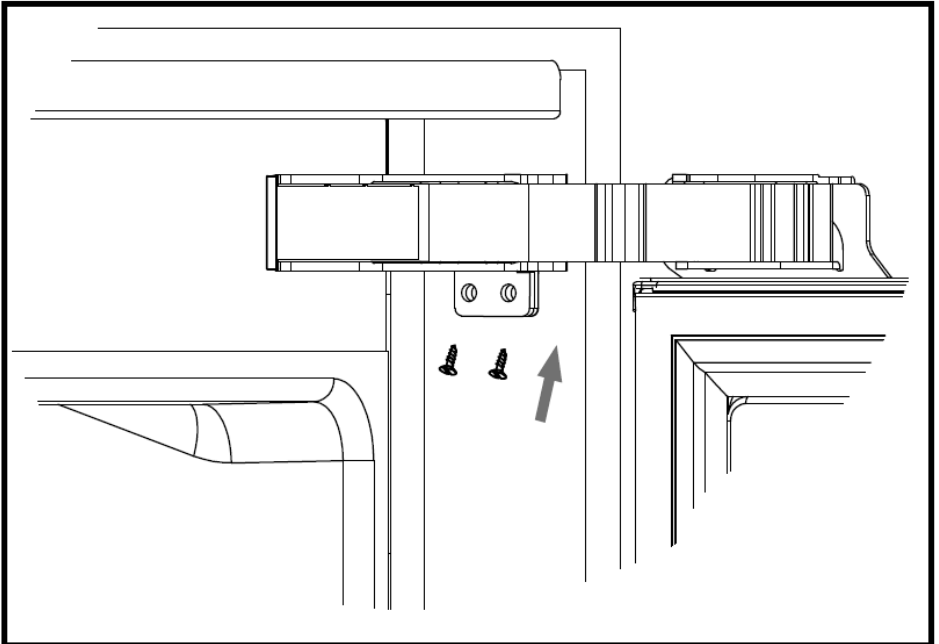
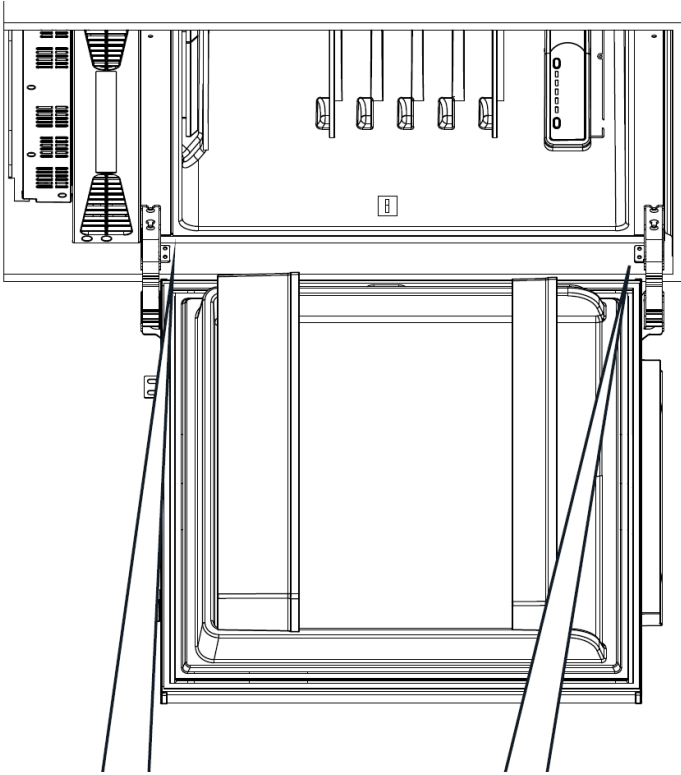
6

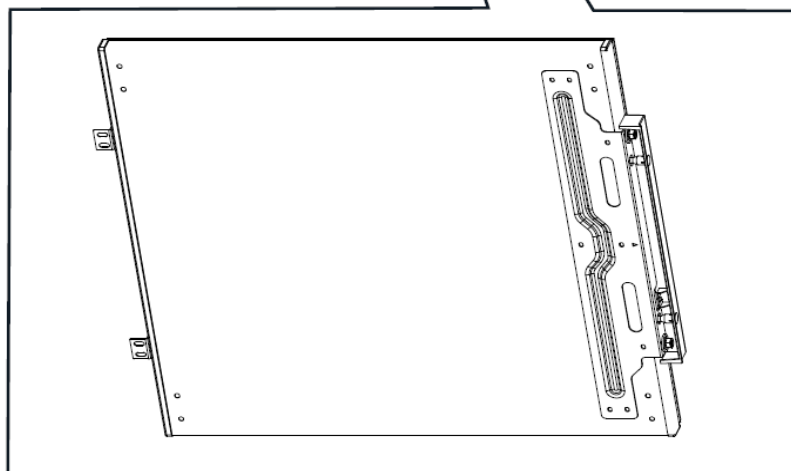
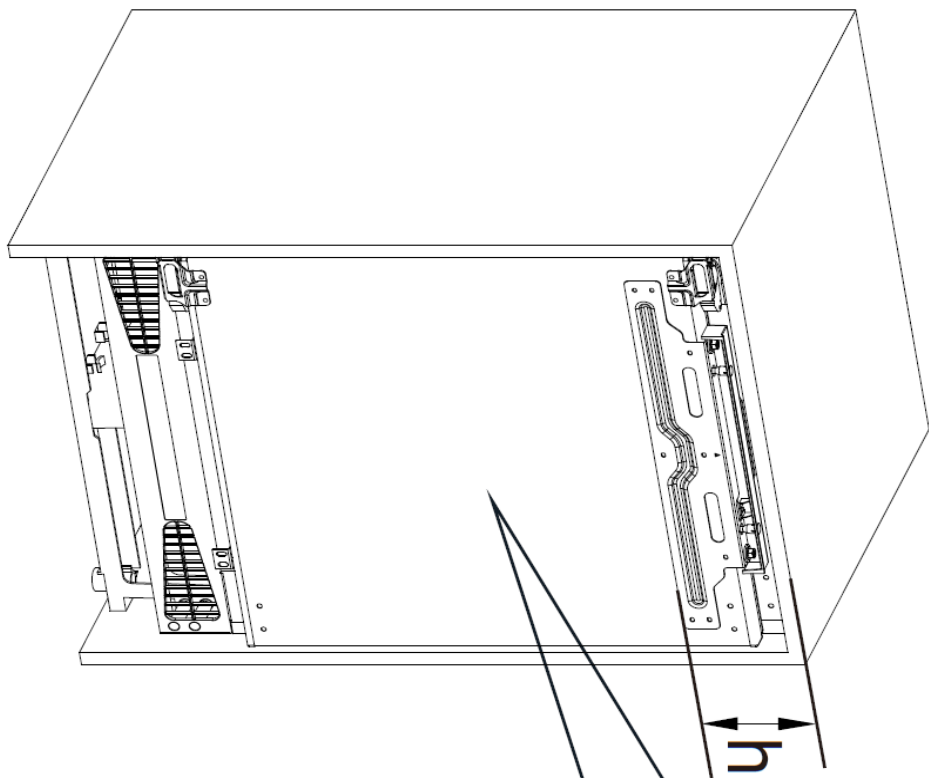


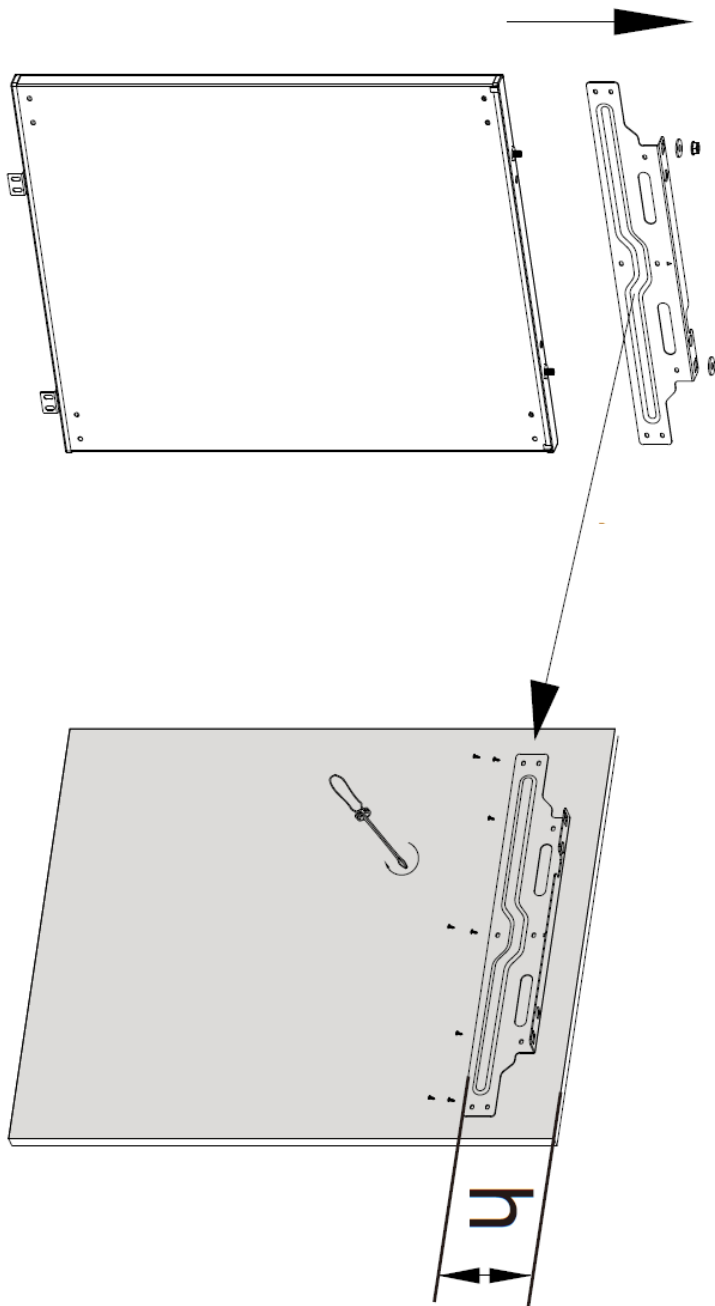
EN - Built-in furniture
SV - Inbyggda möbler
DA - Indbyggede møbler
NO - Innebygde møbler
FI - Kiinteät kalusteet

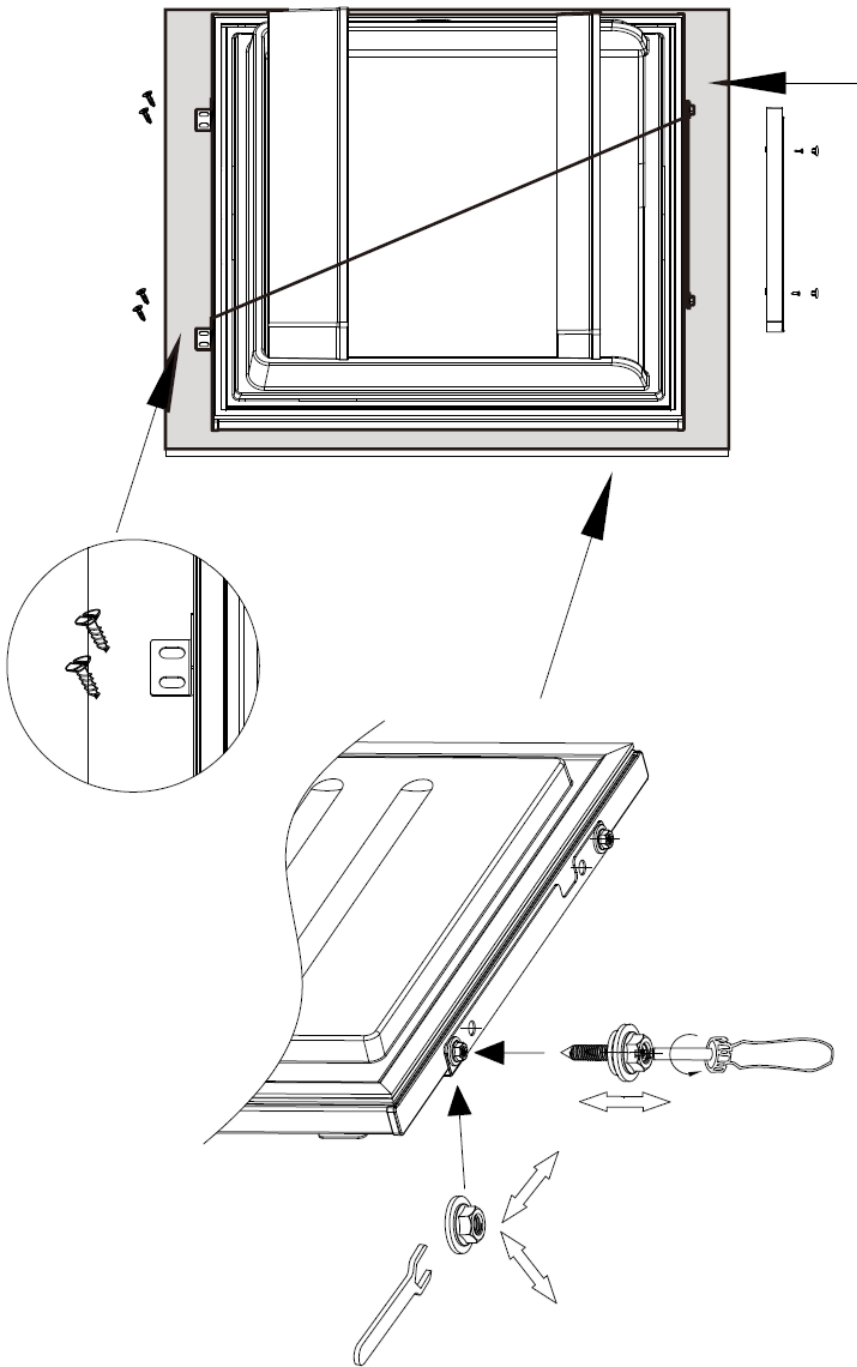


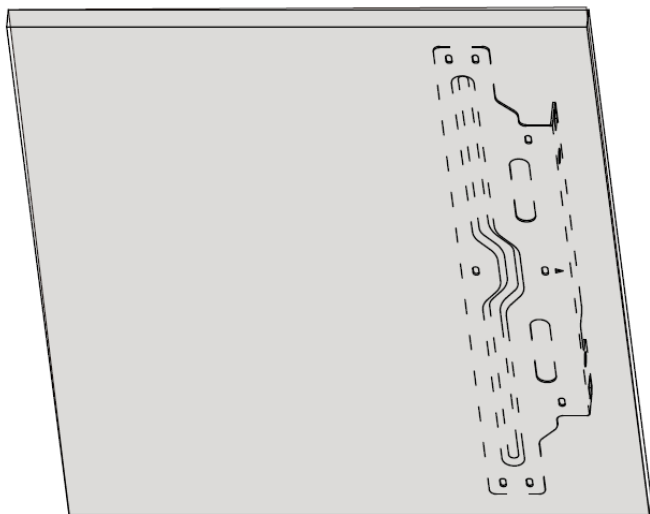
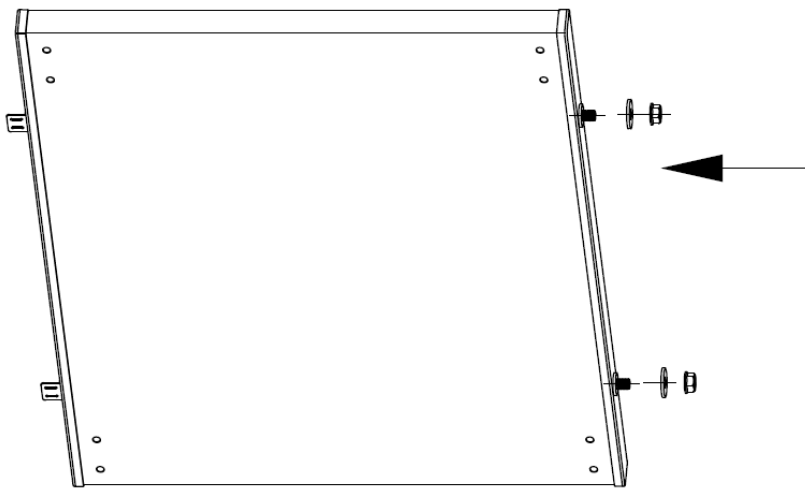


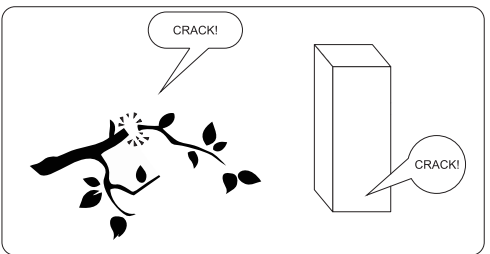
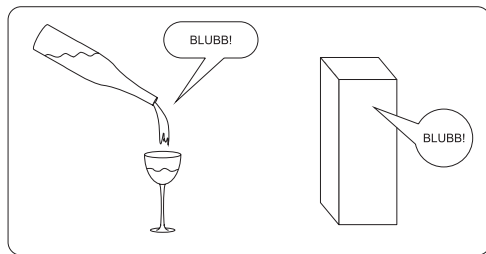
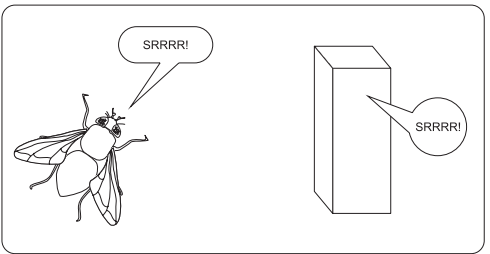
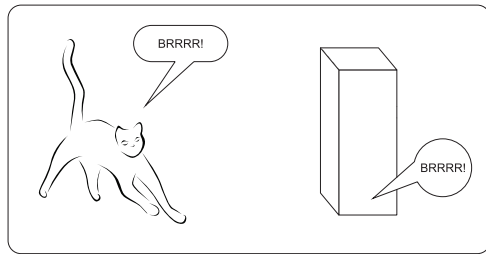
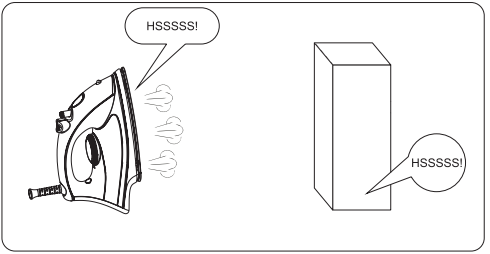
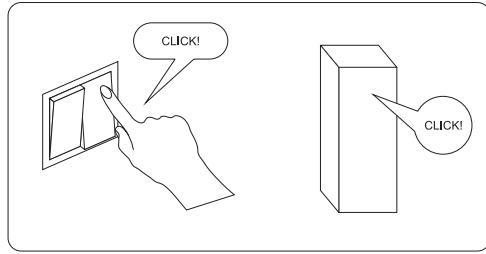
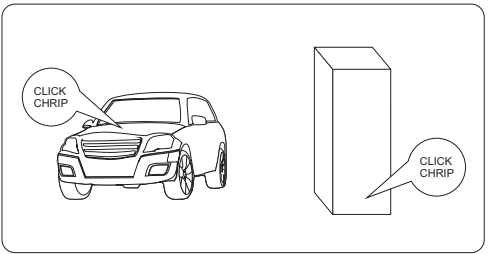
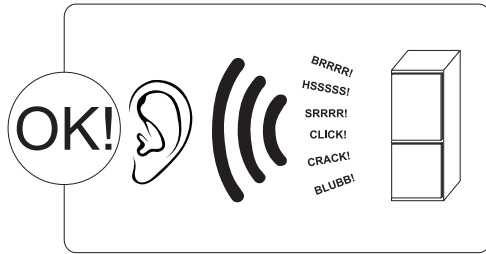


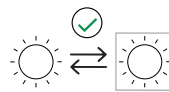
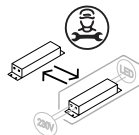
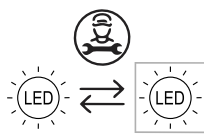
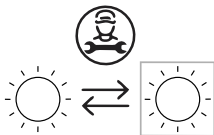




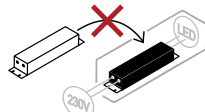
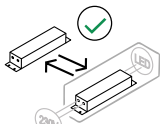
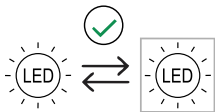








BG	Източник на светлина, сменяем от професионалист	BG	Източник на светлина (само LED), сменяем от професионалист	BG	Управляващо оборудване, сменяемо от професионалист	BG	Източник на светлина, сменяем от крайния потребител
CS	Světelný zdroj smí měnit pouze profesionál	CS	Světelný zdroj (pouze LED) smí měnit pouze profesionál	CS	Ridičí jednotku smí měnit pouze profesionál	CS	Světelný zdroj smí měnit konečný uživatel
DE	Lichtquelle durch Fachmann austauschbar	DE	Lichtquelle (Nur LEDs) durch Fachmann austauschbar	DE	Betriebsgerät durch Fachmann austauschbar	DE	Lichtquelle durch Endverbraucher austauschbar
DK	Udskiftelig lyskilde af en professionel	DK	Udskiftelig (kun LED) lyskilde af en professionel	DK	Udskiftelig transformator af en professionel	DK	Udskiftelig lyskilde af en slutbruger
EN	Replaceable light source by a professional	EN	Replaceable (LED only) light source by a professional	EN	Replaceable control gear by a professional	EN	Replaceable light source by an end-user
ES	Fuente de luz reemplazable por un profesional	ES	Fuente de luz (solo LED) reemplazable por un profesional	ES	Mecanismo de control reemplazable por un profesional	ES	Fuente de luz reemplazable por el usuario final
ET	Valgusallikat võib vahetada ainult professionaal	ET	Valgusallikat (ainult LED) võib vahetada ainult professionaal	ET	Juhtseadist võib vahetada ainult professionaal	ET	Valgusallikat võib vahetada lõppkasutaja
FI	Vaihdettava valonlähde ammattilaisen toimesta	FI	Vaihdettava (vain LED) valonlähde ammattilaisen toimesta	FI	Vaihdettava muuntaja ammattilaisen toimesta	FI	Loppukäyttäjän vaihdettava valonlähde
FR	Source de lumière à changer par un professionnel	FR	Source de lumière (seulement LED) à changer par un professionnel	FR	Equipement de commande à changer par un professionnel	FR	Source de lumière à changer par l'utilisateur final
HR	Izvor svjetlosti zamjenjiv od strane profesionalca	HR	Izvor svjetlosti (samo LED) zamjenjiv od strane profesionalca	HR	Upravljačka oprema zamjenjiva od strane profesionalca	HR	Izvor svjetlosti zamjenjiv od strane korisnika
HU	A fényforrás kizárólag szakember által cserélhető ki	HU	A fényforrás (csak LED) kizárólag szakember által cserélhető ki	HU	A vezérlőegységet kizárólag szakember cserélheti ki	HU	A végfelhasználó által cserélhető fényforrás
LT	Šviesos šaltinis keistinas profesionalo	LT	Šviesos šaltinis (tik LED) keistinas profesionalo	LT	Valdymo įranga keistina profesionalo	LT	Šviesos šaltinis keistinas galutinio naudotojo
LV	Gaismas avotu drīkst nomainīt kvalificēta persona	LV	Gaismas avotu (tikai LED) drīkst nomainīt kvalificēta persona	LV	Vadības mehānismu drīkst nomainīt kvalificēta persona	LV	Gaismas avotu drīkst nomainīt galalietotājs
NL	Lichtbron te vervangen door een vakman	NL	Lichtbron (alleen led) te vervangen door een vakman	NL	Bedieningsuitrusting te vervangen door een vakman	NL	Lichtbron te vervangen door de eindgebruiker
NO	Utskiftbar lyskilde av en autorisert fagmann	NO	Utskiftbar (kun LED) lyskilde av en autorisert fagmann	NO	Utskiftbar transformator av en autorisert fagmann	NO	Utskiftbar lyskilde av forbruker
PL	Zródło światła wymienne przez profesjonalistę	PL	Zródło światła (tylko LED) wymienne przez profesjonalistę	PL	Osprzęt sterujący wymienny przez profesjonalistę	PL	Zródło światła wymienne przez użytkownika końcowego
PT	Fonte de luz substituível por um profissional	PT	Fonte de luz (apenas LED) substituível por um profissional	PT	Equipamento de controlo substituível por um profissional	PT	Fonte de luz substituível pelo usuário final
RO	Sursa de lumină înlocuibilă de către un profesionist	RO	Sursă de lumină înlocuibilă (doar LED) de către un profesionist	RO	Scule de control înlocuibile de către un profesionist	RO	Sursă de lumină înlocuibilă de către un utilizator final
SE	Utbytbar ljuskälla av en fackperson	SE	Utbytbar (endast LED) ljuskälla av en fackperson	SE	Utbytbar transformator av en fackperson	SE	Utbytbar ljuskälla av en slutanvändare
SK	Zdroj svetla vymeniteľný iba profesionálom	SK	Zdroj svetla (iba LED) vymeniteľný iba profesionálom	SK	Riadiaci modul vymeniteľná iba profesionálom	SK	Zdroj svetla vymeniteľný koncovým používateľom
SL	Svetlobni vir naj menja strokovnjak	SL	Zdroj svetla (samo LED) menja strokovnjak	SL	Krmilno napravo menja strokovnjak	SL	Svetlobni vir menja končni uporabnik



BG Източник на светлина (само LED), сменяем от крайния потребител	BG Управлящо оборудване, сменяемо от крайния потребител	BG Несменяем източник на светлина	BG Несменяемо управлящо оборудване
CS Světelný zdroj (pouze LED) smí měnit konečný uživatel	CS Řídicí jednotku smí měnit konečný uživatel	CS Nevyměnitelný zdroj světla	CS Nevyměnitelná řídicí jednotka
DE Lichtquelle (Nur LEDs) durch Endverbraucher austauschbar	DE Betriebsgerät durch Endverbraucher austauschbar	DE Lichtquelle nicht austauschbar	DE Betriebsgerät nicht austauschbar
DK Udkiftelig (kun LED) lyskilde af en slutbruger	DK Udkiftelig transformere af en slutbruger	DK Ikke udkiftelig lyskilde	DK Ikke udkiftelig transformere
EN Replaceable (LED only) light source by an end-user	EN Replaceable control gear by an end-user	EN Non-replaceable light source	EN Non-replaceable control gear
ES Fuente de luz (solo LED) reemplazable por el usuario final	ES Mecanismo de control reemplazable por el usuario final	ES Fuente de luz no reemplazable	ES Mecanismo de control no reemplazable
ET Valgusallikat (ainult LED) võib vahetada lõppkasutaja	ET Juhtseadet võib vahetada lõppkasutaja	ET Valgusallikas ei ole vahetatav	ET Juhtseade ei ole vahetatav
FI Loppukäyttäjän vaihdettava (vain LED) valonlähde	FI Loppukäyttäjän vaihdettava muuntaja	FI Ei vaihdettava valonlähde	FI Ei vaihdettava muuntaja
FR Source de lumière (seulement LED) à changer par l'utilisateur final	FR Equipement de commande à changer par l'utilisateur final	FR Source de lumière non échangeable	FR Equipement de commande non échangeable
HR Izvor svjetlosti (samo LED) zamjenjiv od strane korisnika	HR Upravljačka oprema korisnika	HR Izvor svjetlosti nezamjenjiv	HR Upravljačka oprema nezamjenjiva
HU A fényforrás (csak LED) a végfelhasználó által is cserélhető	HU A végfelhasználó által cserélhető vezérlőegység	HU A fényforrás nem cserélhető	HU Nem cserélhető vezérlőegység
LT Šviesos šaltinis (tik LED) keistinas galutinio naudotojo	LT Vadības mehānismu drīkst nomainīt galalietotājs	LT Nekeistinas šviesos šaltinis	LT Nekeistina vadymo įranga
LV Gaismas avots (tikai LED) drīkst nomainīt galalietotājs	NL Bedieningsuitrusting te vervangen door de eindgebruiker	LV Vadības mehānisms ir nomaināms	LV Vadības mehānisms ir nomaināms
NL Lichtbron (alleen led) te vervangen door de eindgebruiker	NO Utskiftbar transformere av forbruker	NL Bedieningsuitrusting niet vervangbaar	NL Bedieningsuitrusting niet vervangbaar
NO Utskiftbar (kun LED) lyskilde av forbruker	PL Osprzęt sterujący wymienny przez użytkownika końcowego	NO Ikke utskiftbar lyskilde	NO Ikke utskiftbar transformator
PL Źródło światła (tylko LED) wymienne przez użytkownika końcowego	PT Equipamento de controlo substituível pelo usuário final	PL Źródło światła niewymienne	PT Equipamento de controlo substituível
PT Fonte de luz (apenas LED) substituível pelo usuário final	RO Scule de control înlocuibil de către un utilizator final	RO Sursă de lumină înlocuibilă (doar LED) de către un utilizator final	RO Scule de control înlocuibile
RO Sursă de lumină înlocuibilă (doar LED) de către un utilizator final	SE Utbytbar transformator av en slutanvändare	SE Utbytbar (endast LED) ljuskälla	SE EJ utbytbar ljuskälla
SE Utbytbar (endast LED) ljuskälla av en slutanvändare	SK Riadiaci modul vymeniteľný koncovým používateľom	SK Zdroj svetla (iba LED) vymeniteľný iba koncovým používateľom	SK Riadiaci modul
SK Zdroj svetla (iba LED) vymeniteľný iba koncovým používateľom	SL Krmilno naprave ni mogoče menjati	SL Svetlobni vir (samo LED) menja končni uporabnik	SK Krmilne naprave ni mogoče menjati
SL Svetlobni vir (samo LED) menja končni uporabnik			

NO:
Gram A/S
Tel.: 22 07 26 30
www.gram.no

SE:
Gram A/S
Tel.: 040 38 08 40
www.gram.se

FI
Gram A/S
Tel.: 020 7756 350
www.gram.fi



Gram A/S
Gejlhavegård 2B
DK-6000 Kolding
+45 73 20 10 00
www.gram.dk