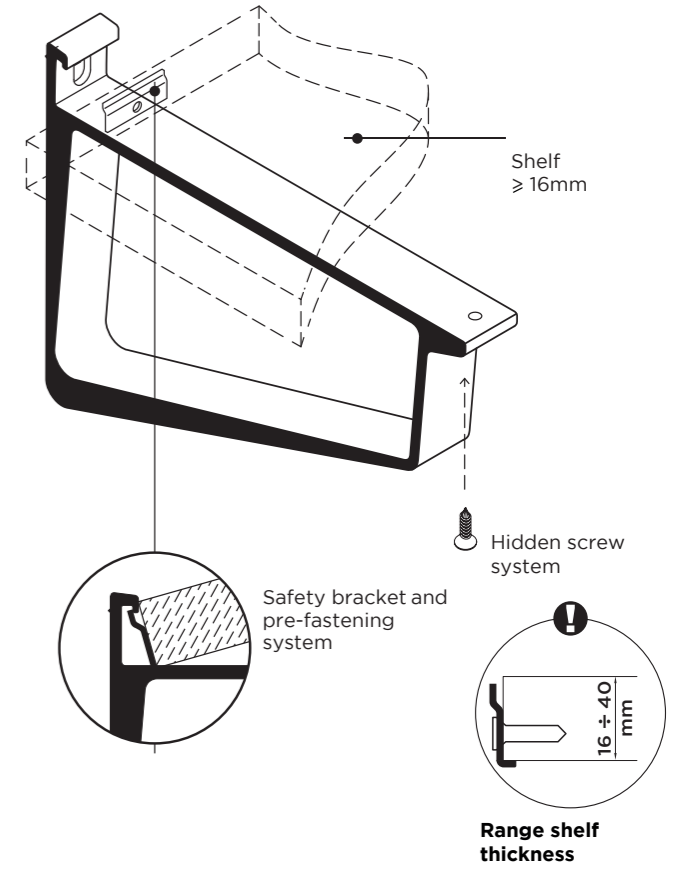
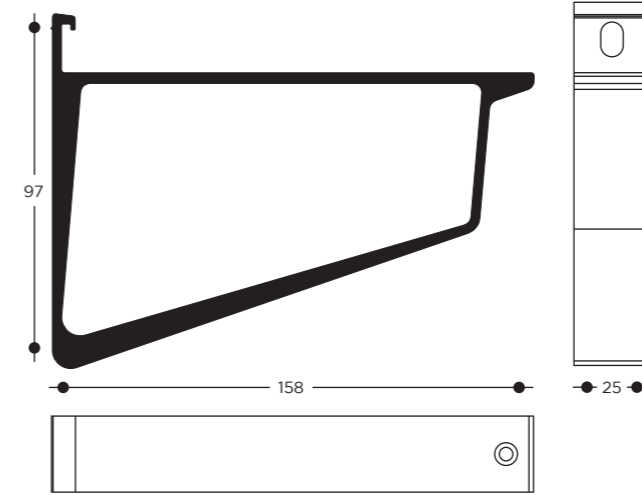
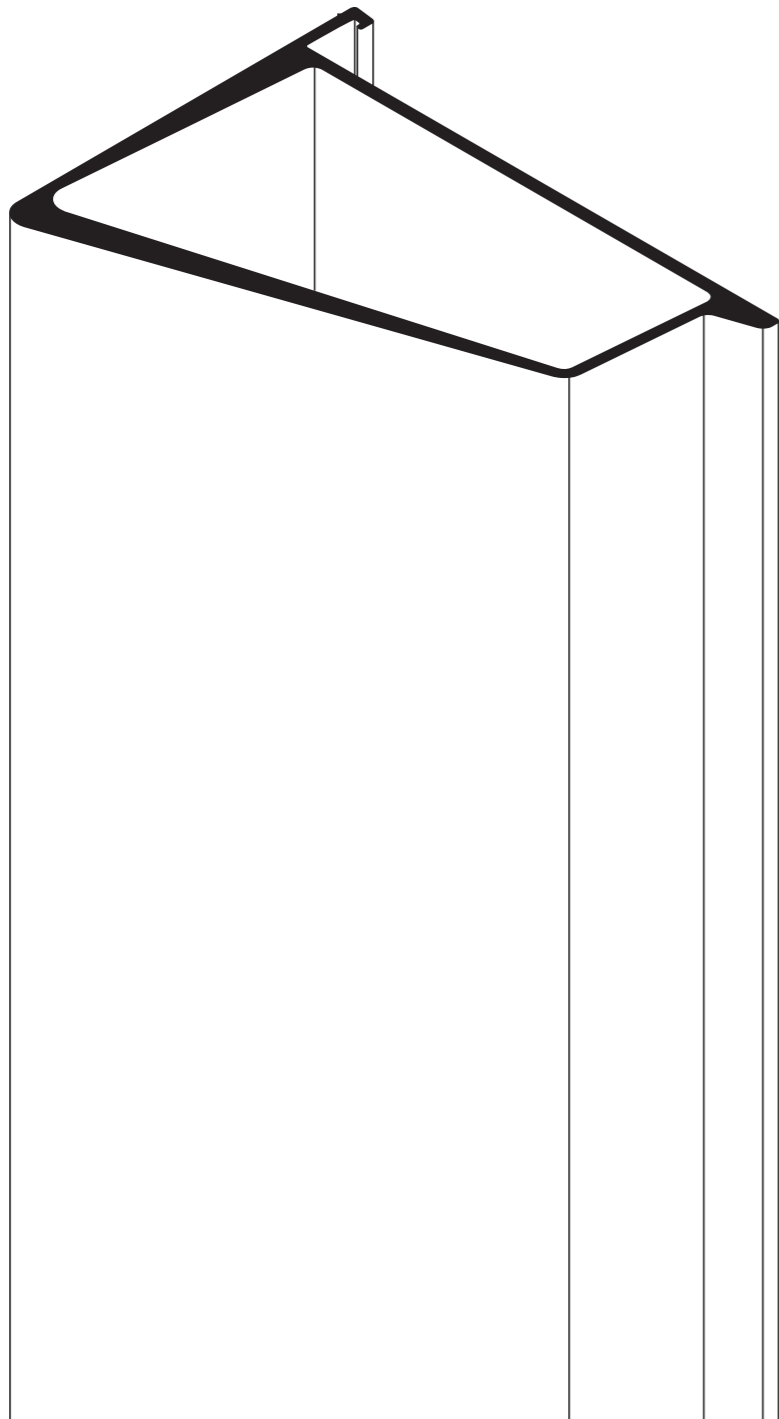


**EXTRUDED ALUMINIUM**



**TECHNICAL SPECS**

Capacity	<b>15 kg</b> per couple
Max shelf depth	<b>300 mm</b>
Max shelf length	<b>900 mm</b>
Minimum and maximum shelf thickness	<b>16-40 mm</b>

**FINISHES**

Powder painted



